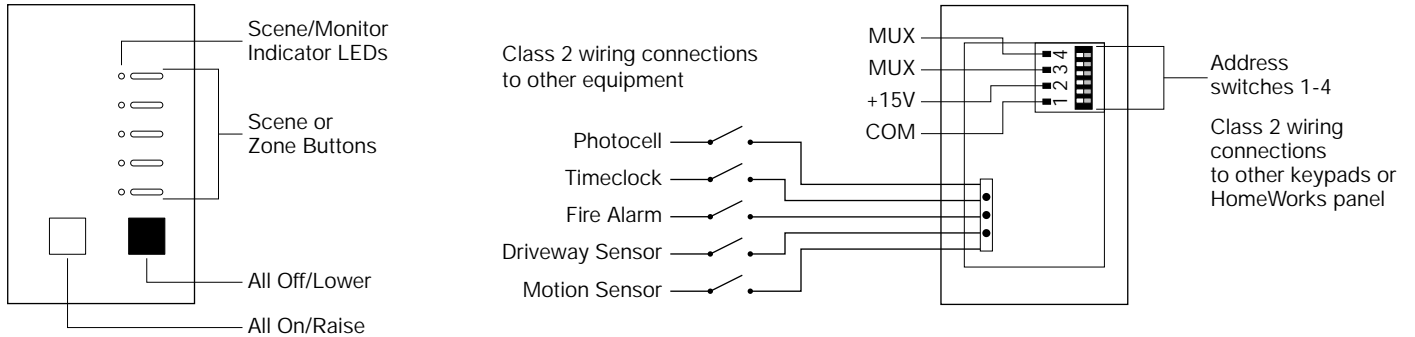


LUTRON SPECIFICATION SUBMITTAL

|                      |       |                                |                                |                                |                                     |
|----------------------|-------|--------------------------------|--------------------------------|--------------------------------|-------------------------------------|
| Job Name             |       | Job Number                     |                                |                                |                                     |
| Location             |       | Area Controlled                |                                |                                |                                     |
| Model No.<br>HWV-IP5 | Color | <input type="checkbox"/> WHITE | <input type="checkbox"/> BEige | <input type="checkbox"/> IVory | <input type="checkbox"/> GRay       |
|                      |       | <input type="checkbox"/> BRown | <input type="checkbox"/> BLack | <input type="checkbox"/> TauPe | <input type="checkbox"/> Dusty Rose |

## Input Closure Keypad

HWV-IP5



Specifications

|                        |   |
|------------------------|---|
| <b>Power</b>           | <i>Operating voltage: Class 2, 15 VDC.</i>  |
| <b>Terminals</b>       | <i>Capacity: (4) #18 AWG (1.0 mm<sup>2</sup>).</i>  |
| <b>Mounting</b>        | <i>1- or 2-gang U.S. wallbox.</i>   |
| <b>Environmental</b>   | <i>32°-104°F (0°-40°C).</i>   |
| <b>Design</b>          | <i>Faceplates: Molded plastic (8 color options shown above).</i>  |
| <b>System Capacity</b> | <i>32 master keypads max. per panel with 16 unique addresses.<br/>Data link: 1000' (300 m) maximum.</i> |

Master Keypad Installation

1. Turn power off. Strip 1/2" (12mm) insulation from wires in wallbox. Connect pair for low-voltage power to terminals 1 and 2. Connect twisted pair for data link to 3 and 4.
2. ADDRESS: Set first 4 switches with unit's unique address (see back of this sheet).
3. MOUNT: Push all wires in wallbox and mount as shown. Restore power.

Function

The HWV-IP5 provides five individual switch-closure inputs from time clocks, photocells, security systems and motion sensors to activate any lighting controls and devices in a HomeWorks system, using either momentary or latching closures.

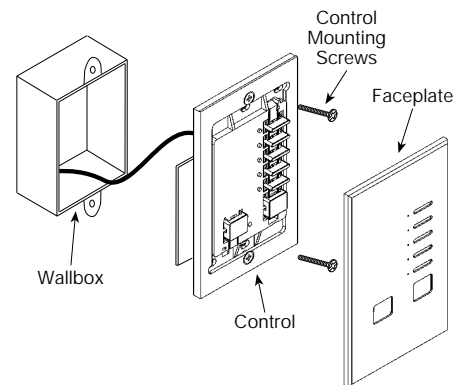
Pre-Wiring

1. Mount wallbox.
2. Pull cable(s) from HomeWorks panel or other master keypad location. Use one pair #18 for power and one pair twisted and shielded #18 - #22 for data. All wiring is Class 2.

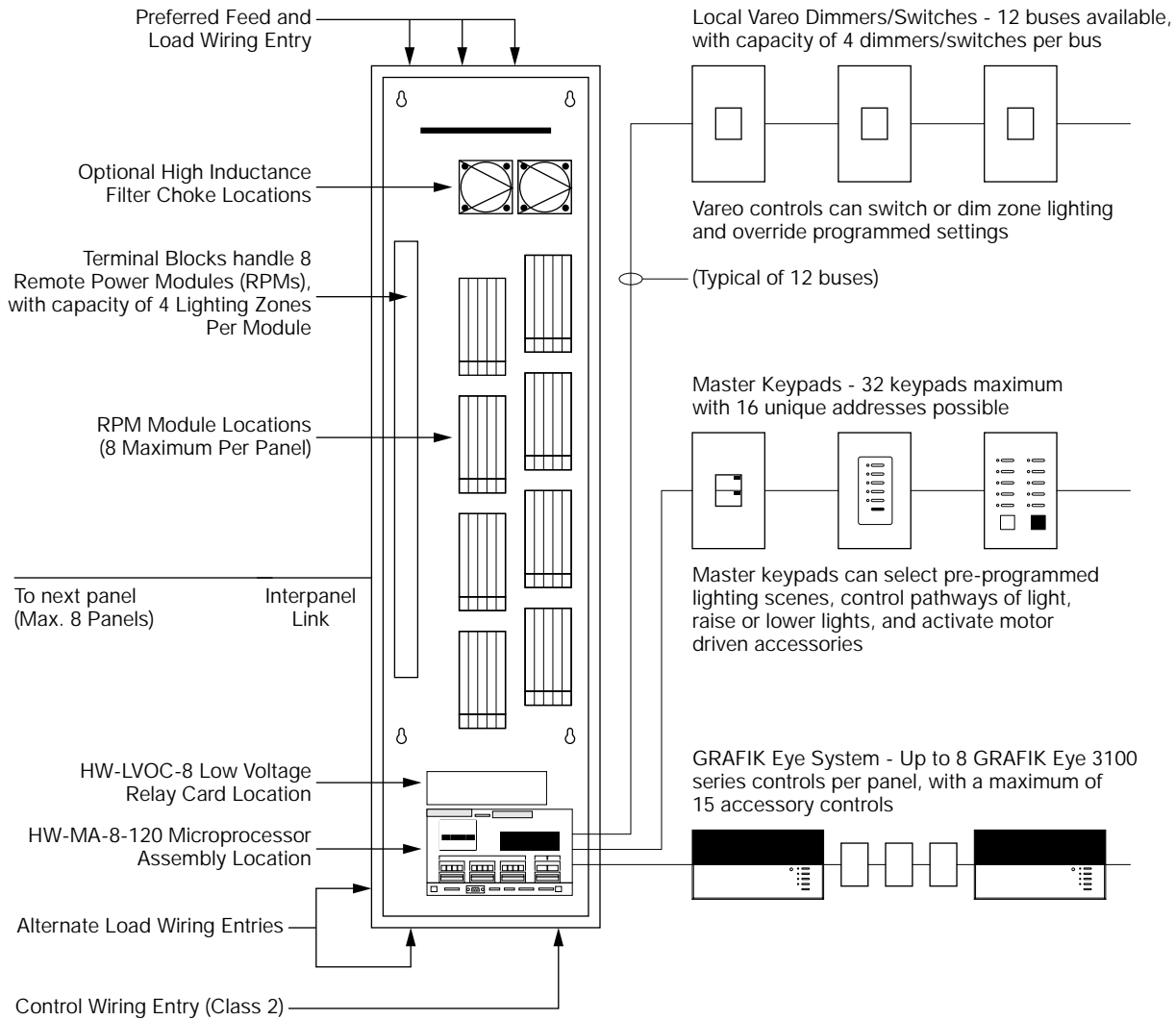
Programming

Master keypads are programmed with Lutron's Windows-based programming utility. Simple programming can be done manually from keypads.

Note: Remote power modules can only be assigned to master keypads by using the Windows programming utility.



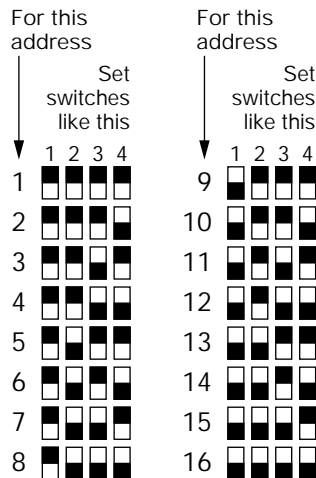
# Overview of HomeWorks Integrated System



## Setting a Master Keypad's Unique Address

Each master keypad requires a unique system address (1-16). This identifies the keypad and enables it to communicate with the remote power panel.

To create a keypad's address, set switches 1 through 4 on the back of the keypad as shown on the right. Document your assignments by noting which master keypad corresponds to each address selected.



- This switch is in the up position
- This switch is in the down position

## Warranty

Lutron will, at its option, repair or replace any control that is defective in materials or manufacture within two years after the purchase.

This warranty is in lieu of any other warranties, express or implied, and the implied warranty of merchantability is limited to two years from purchase.

This warranty does not cover the cost of installation, removal or reinstallation, or damage resulting from misuse, abuse, or improper wiring or insulation.

This warranty gives you specific legal rights, and you may also have other rights which vary from state to state. Some states do not allow the exclusion or limitation of incidental or consequential damages, or limitations on how long an implied warranty may last, so the above limitations and exclusions may not apply to you.

Printed in U.S.A.

© 1996 Lutron Electronics Co., Inc.