

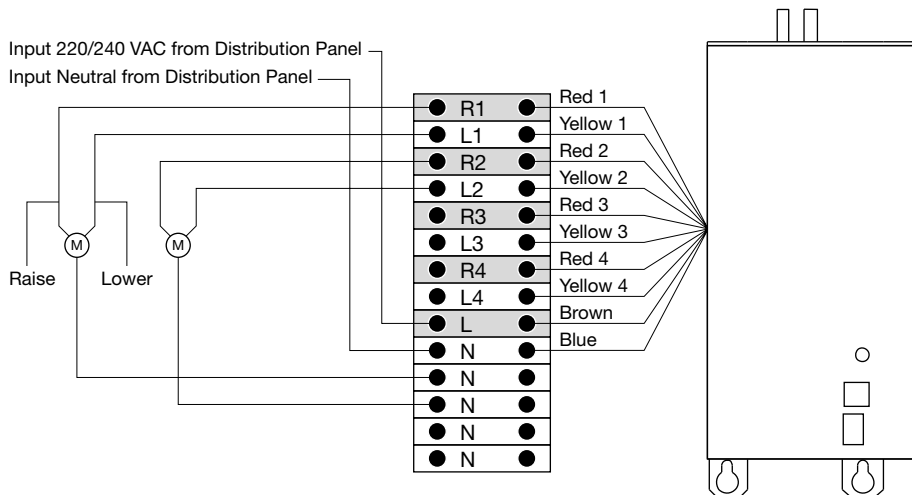
HOMEWORKS™ Remote Power Module

HW-RPM -4M-230

LUTRON SPECIFICATION SUBMITTAL

Job Name		Job Number
Location		Zones Controlled
Model No. HW-RPM-4M-230		
Zone No.	Description	Load
1		
2		
3		
4		

Motor Interlock Module

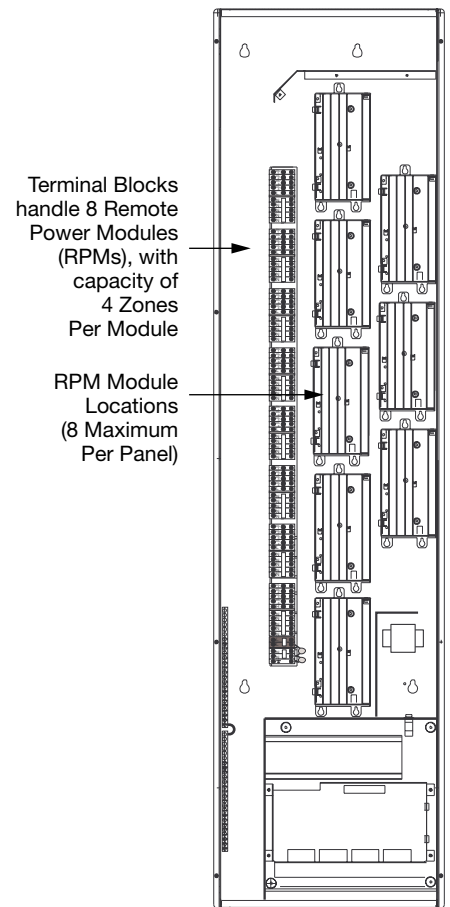


Specifications

Input Feed	220/240 VAC, 16 amps
Output Contact Rating*	220/240 VAC, 5A (1/2 HP), 1.5 amp tungsten
Environmental	32°-104°F (0°-40°C)
Total Module Capacity	220/240 VAC, 16 amps (3680 VA at 230V)
Loads	Up to (4) 220/240 VAC motors or non-dim loads
* Outputs are not rated for switching electronic low-voltage or electronic ballasts	

Function

The HomeWorks motor interlock module can be used to control (4) 220/240 VAC motors. Typical applications include motors for drapes, shades, and hurricane shutters. Each motor channel has two (2) relay outputs which are mechanically interlocked to ensure both outputs are never simultaneously powered.



Remote Power Panel
(model shown
HW-RPM8/32-230CE)

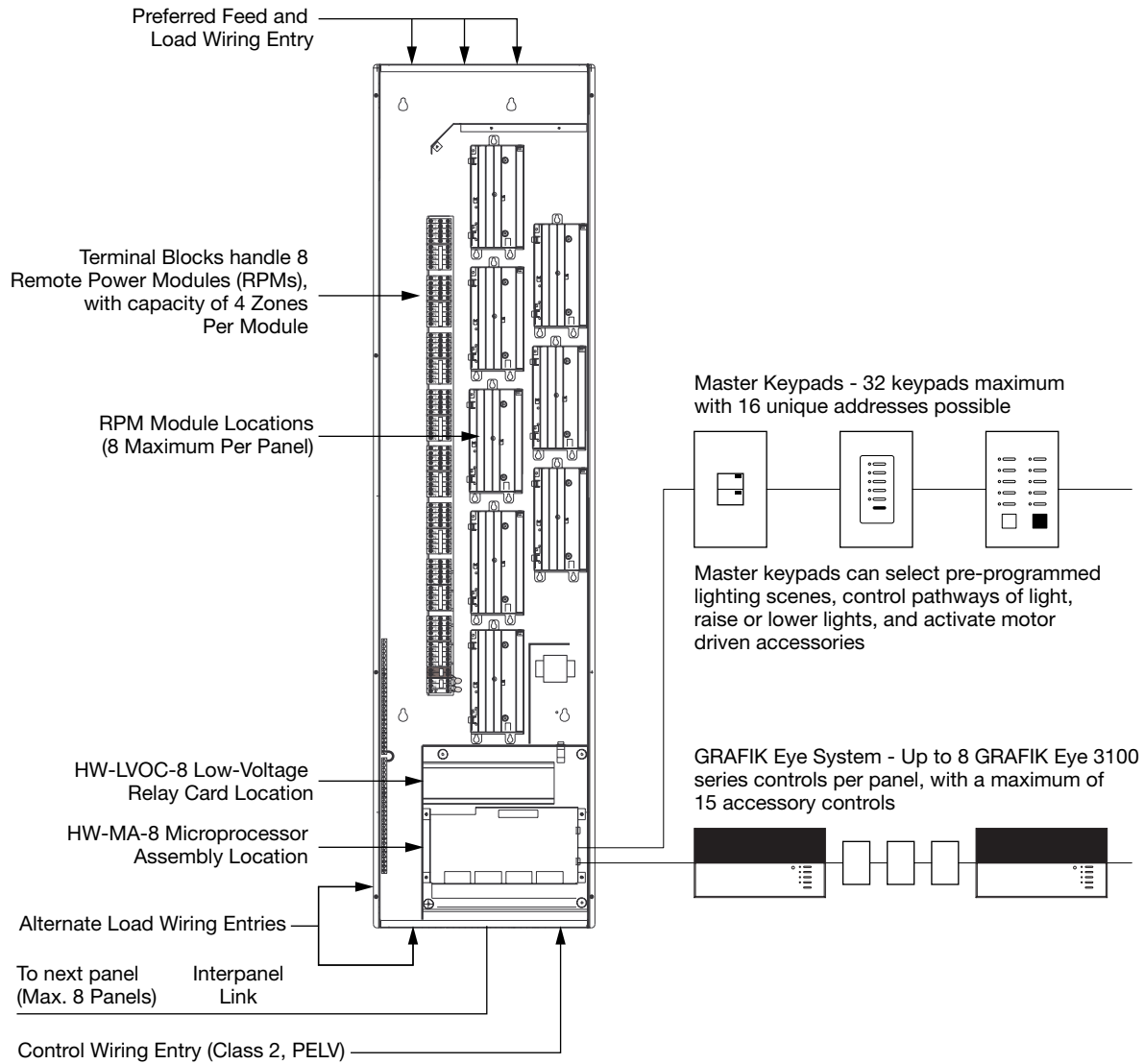


Lutron Electronics Co., Inc.
7200 Suter Road
Coopersburg, PA 18036, USA
7/98 P/N 366-962/A4

For additional submittal sheets, call our
Hotline and Fax-on-Demand Service at
1-800-523-9466, or visit Lutron's Web site at
<http://www.lutron.com/resi>



Overview of HomeWorks Integrated System



Programmable keypad options

1. Single button to select a preset scene which may include lighting, motors, relays, etc.
2. Two (2) buttons used for OPEN and CLOSED.
3. Three (3) buttons used for OPEN, CLOSED, STOP.
4. Two (2) buttons used in a press and hold manner. One button RAISES as long as button is held; the other LOWERS as long as it is held.
5. Single button which sequentially cycles motors through OPEN - STOP - CLOSE.
6. Two (2) buttons which may be included in conjunction with any of the above. Provide logic function of JOG UP or JOG DOWN.

Warning

The motor interlock module must not be used to control equipment which is not visible from every keypad control location. It also must not be used to control equipment which could create hazardous situations such as entrapment if operated accidentally. Examples of equipment which must not be controlled by the motor interlock module include (but are not limited to) motorized gates, garage doors, and industrial doors. It is the installer's responsibility to ensure that the equipment being controlled is visible from each keypad control location and that only suitable equipment is connected to the motor interlock module.

Warranty

Lutron will, at its option, repair or replace any control that is defective in materials or manufacture within two years after the purchase.

This warranty is in lieu of any other warranties, express or implied, and the implied warranty of merchantability is limited to two years from purchase.

This warranty does not cover the cost of installation, removal or reinstallation, or damage resulting from misuse, abuse, or improper wiring or insulation.

This warranty gives you specific legal rights, and you may also have other rights which vary from state to state. Some states do not allow the exclusion or limitation of incidental or consequential damages, or limitations on how long an implied warranty may last, so the above limitations and exclusions may not apply to you.

Printed in U.S.A.

© 1998 Lutron Electronics Co., Inc.