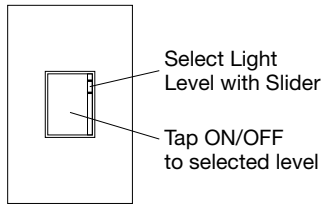


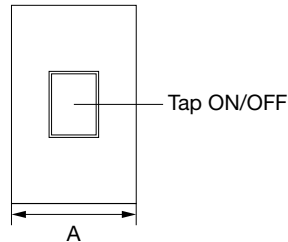
LUTRON SPECIFICATION SUBMITTAL

Job Name		Job Number	
Location		Area Controlled	
Model No. HWV-FDB-8A-120	Color	<input type="checkbox"/> WHITE	<input type="checkbox"/> BEige
		<input type="checkbox"/> IVory	<input type="checkbox"/> GRay
		<input type="checkbox"/> BRown	<input type="checkbox"/> BLack
		<input type="checkbox"/> TauPe	<input type="checkbox"/> Dusty Rose

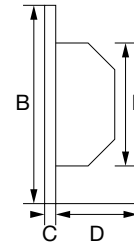
Fluorescent Lighting Loads



Base Dimmer
(HWV-FDB-8A-120)



3- and 4-way
Tap Switch (VETS-R)



Dimensions		
	Inches	mm
A	2.75	70.0
B	4.50	114.0
C	.30	7.5
D	1.31	32.7
E	2.75	0.7

Function

Allows local control of one subcircuit (or channel) of lights in a HomeWorks system to:

- Turn lights on and off.
- adjust light intensity with slider.

Pre-Wiring

1. Mount single-gang wallbox.
2. Pull Class 2 wires (#18 - #22 AWG, shielded two-conductor) from each wallbox to a HomeWorks HWV-PNL8 Interface Panel. (Maximum length = 500') A maximum of four dimmers and switches can be daisy-chained together on a single bus.

Reliability

HWV-series local switches will operate independently if the central microprocessor is not functioning.

Specifications

Power Input power: 120VAC, 60 Hz

Mounting Single-gang U.S. wallbox

Environmental 32 - 104 F (0 - 40C)

Design Faceplates: Molded plastic (8 std. color listed above)

Load Types Lutron's Hi-lume or Eco-10 electronic fluorescent dimming ballasts.

Maximum Capacity* 8 Amps**

Auxiliary Controls Up to 9 Lutron VETS-R for 3-way and 4-way applications.

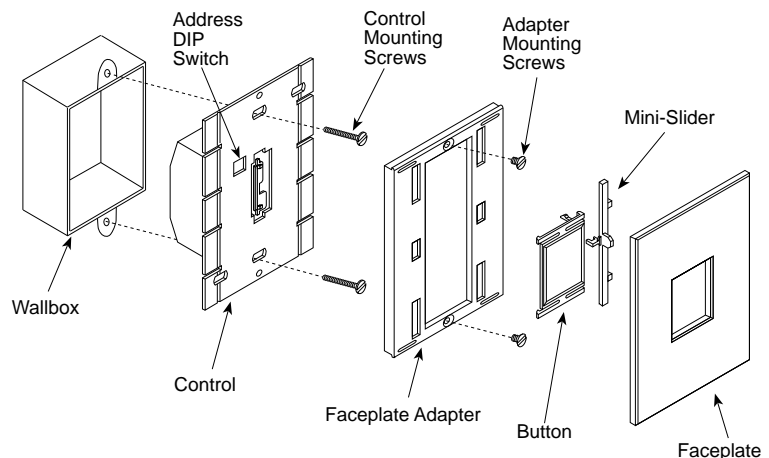
* For loads greater than 8 Amps, use Lutron's HWV-600D Vareo dimmer and a GRX-FDBI-16A-120 interface.

** For multi-gang installations, derate load capacity as follows:

Model No.	End of Gang	Middle of Gang
HWV-FDB-8A-120	7 amps	5.5amps

Features

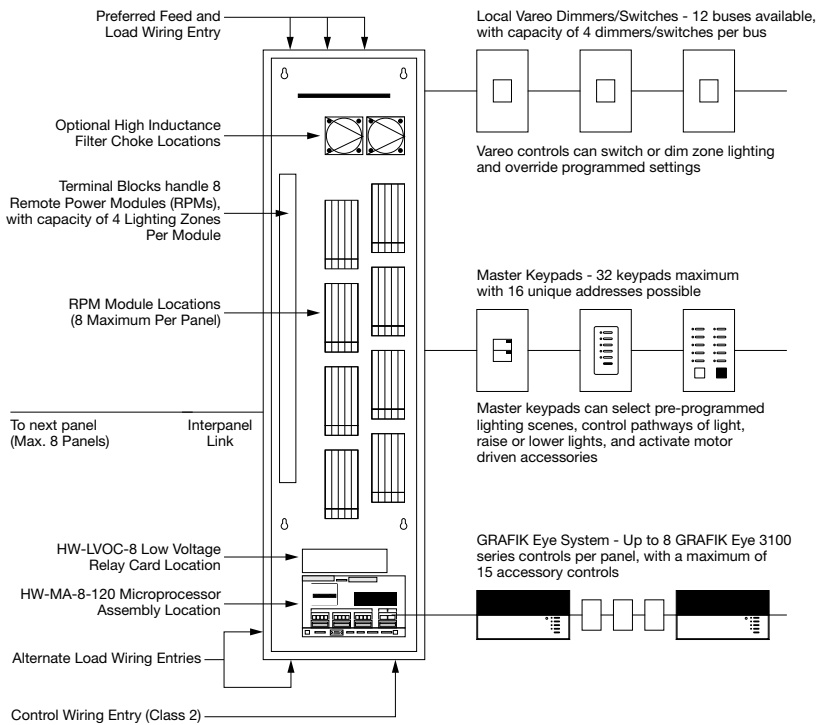
- Dim fluorescent lights as low as 1%, depending on lamp and ballast type
- Lights fade up and down over 4 seconds when turned on or off (fade can be disabled).
- Double tap brings lights instantly to full on
- Long tap (2 seconds) fades lights to off over 10 seconds.
- Adjustable low end setting.



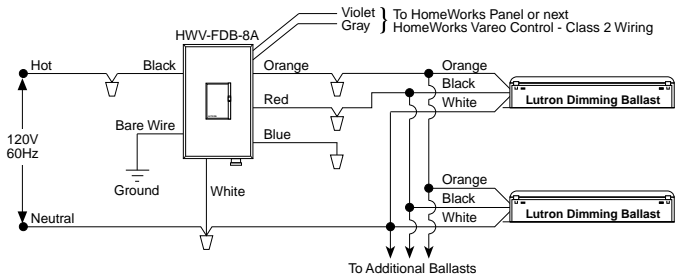
Lutron Electronics Co., Inc.
7200 Suter Road
Coopersburg, PA 18036, USA
9/96 P/N 362-985

For additional submittal sheets, call our Hot Line and Fax-on-Demand Service at 1-800-523-9466, or visit Lutron's Web site at <http://www.lutron.com/resi>

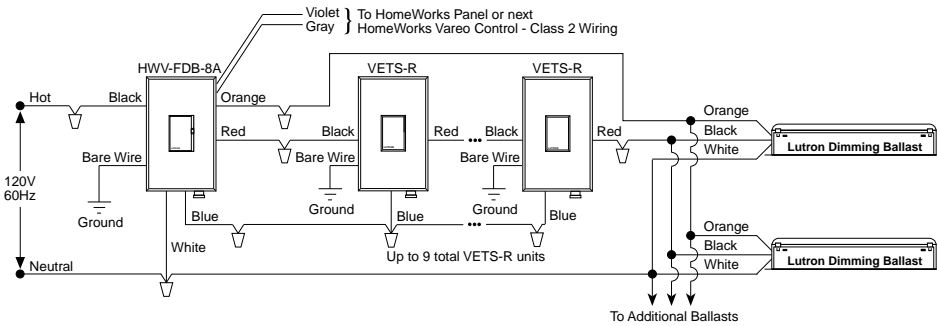
Overview of HomeWorks Integrated System



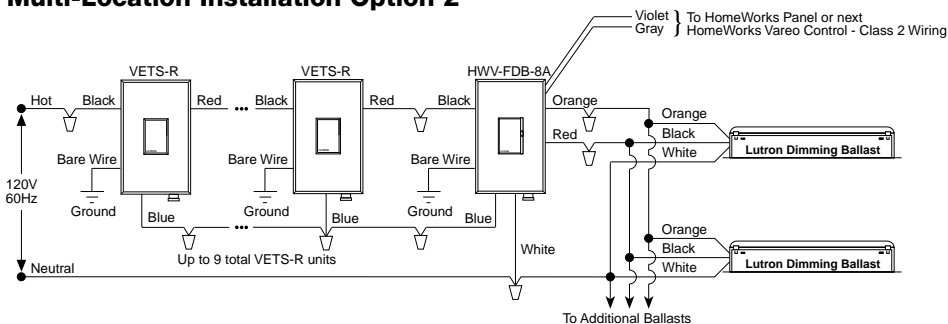
Single Location Installation



Multi-Location Installation Option 1



Multi-Location Installation Option 2



Warranty

Lutron will, at its option, repair or replace any control that is defective in materials or manufacture within two years after the purchase.

This warranty is in lieu of any other warranties, express or implied, and the implied warranty of merchantability is limited to two years from purchase.

This warranty does not cover the cost of installation, removal or reinstallation, or damage resulting from misuse, abuse, or improper wiring or insulation.

This warranty gives you specific legal rights, and you may also have other rights which vary from state to state. Some states do not allow the exclusion or limitation of incidental or consequential damages, or limitations on how long an implied warranty may last, so the above limitations and exclusions may not apply to you.

Printed in U.S.A.

© 1996 Lutron Electronics Co., Inc.

