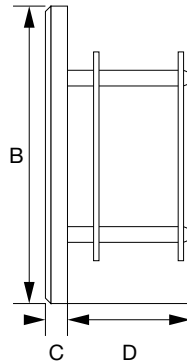
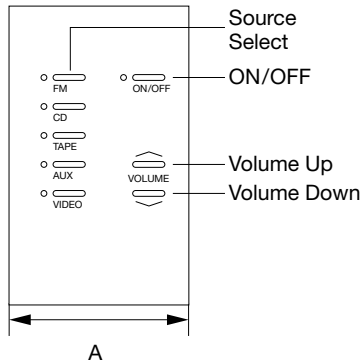


LUTRON SPECIFICATION SUBMITTAL

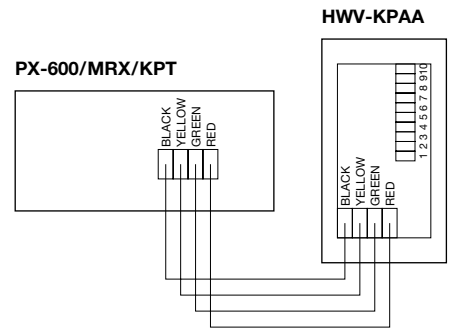
Job Name		Job Number	
Location		Area Controlled	
Model No. HWV-KPAA	Color	<input type="checkbox"/> WHITE	<input type="checkbox"/> BEige
		<input type="checkbox"/> IVory	<input type="checkbox"/> GRay
		<input type="checkbox"/> BRown	<input type="checkbox"/> BLack
		<input type="checkbox"/> TauPe	<input type="checkbox"/> Dusty Rose



Dimensions

	Inches	mm
A	2.75	70
B	4.57	116
C	.32	8
D	1.30	33

Multi-Function Audioaccess Keypad



Specifications

Power Operating voltage: Class 2, 15 VDC.

Terminals Capacity: (4) #18-24 AWG.

Mounting 1 Gang U.S. wallbox.

Environmental 32°-104°F (0°-40°C).

Design Faceplates: Molded plastic (8 color options shown above).

Function

These keypads allow users to remotely access button functions to:

1. Turn a zone/group ON/OFF.
2. Select from five audio sources, and control their basic functions.
3. Change volume independently in each zone/group.

Pre-Wiring

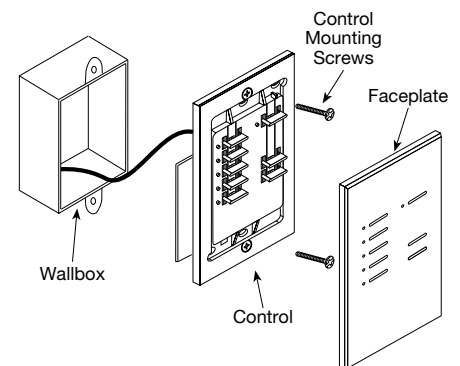
1. Mount wallbox.
2. Pull cable from PX-600™, MRX, KPT or other HWV-KPAA. Use four conductor #18-24 AWG. All wiring is low voltage/class 2 and MUST NOT be run in the same raceways or conduit as any line voltage wires.

Programming

The HWV-KPAA is programmed using the PX-600/MRX Programmer supplied by Audioaccess.

Keypad Installation

1. Turn power off.
2. Strip 3/8" insulation from wires at HWV-KPAA and PX-600/MRX/KPT. Terminate wires at the HWV-KPAA first and then on the PX-600/MRX/KPT.
3. Set DIP switches for ROOM and SYSTEM codes corresponding to the zone and system for that HWV-KPAA (Codes provided by Audioaccess)
4. Mount in wallbox as shown. Restore power.





PX-600 is a trademark of Audioaccess.

Warranty

Lutron will, at its option, repair or replace any control that is defective in materials or manufacture within two years after the purchase.

This warranty is in lieu of any other warranties, express or implied, and the implied warranty of merchantability is limited to two years from purchase.

This warranty does not cover the cost of installation, removal or reinstallation, or damage resulting from misuse, abuse, or improper wiring or insulation.

This warranty gives you specific legal rights, and you may also have other rights which vary from state to state. Some states do not allow the exclusion or limitation of incidental or consequential damages, or limitations on how long an implied warranty may last, so the above limitations and exclusions may not apply to you.

Printed in U.S.A.

© 1997 Lutron Electronics Co., Inc.