

LUTRON SPECIFICATION SUBMITTAL

Job Name	Job Number
Location	
Model No. See chart below	

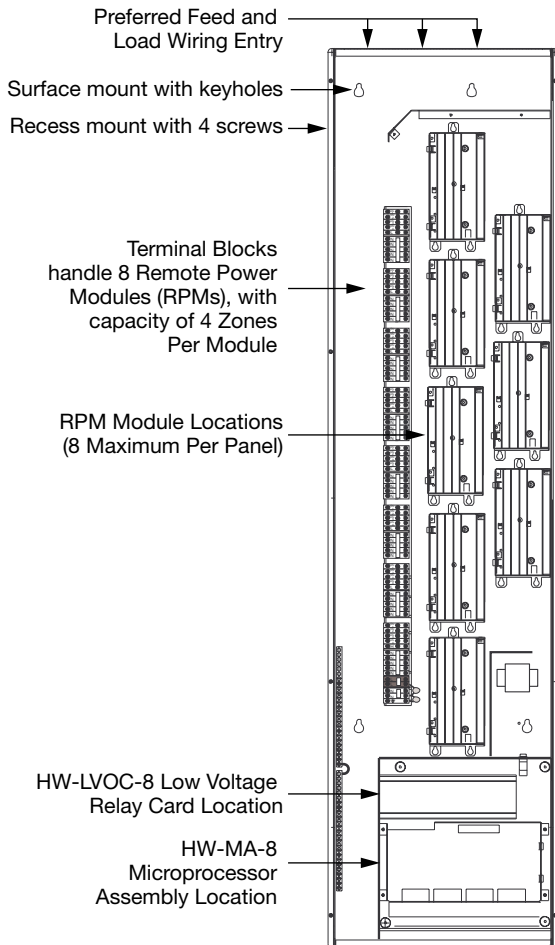
Specifications

Panel Dimensions	151cm H (59") x 37cm W (14.38") x 97mm D (3.78")
Components Housed	up to 8 Remote Power Modules: HW-RPM-4U-230-CE, HW-RPM-4M-230 Microprocessor Assembly: HW-MA-8-REPL-CE Low Voltage Relay Card: HW-LVOC-8 Terminal blocks for number of modules to be mounted
Electrical Connections	Line voltage wires enter top or bottom – 3mm ² maximum, 9 feeds maximum, 32 output loads maximum
Environmental	0°-40°C (32°-104°F)

Pre-Assembled Remote Power Panel

Function

The Remote Power Panel is a pre-assembled panel that contains the central components of a HomeWorks lighting control system. It includes up to 8 remote power modules and a microprocessor assembly, as well as wiring facilities for a low voltage relay card.



Model number

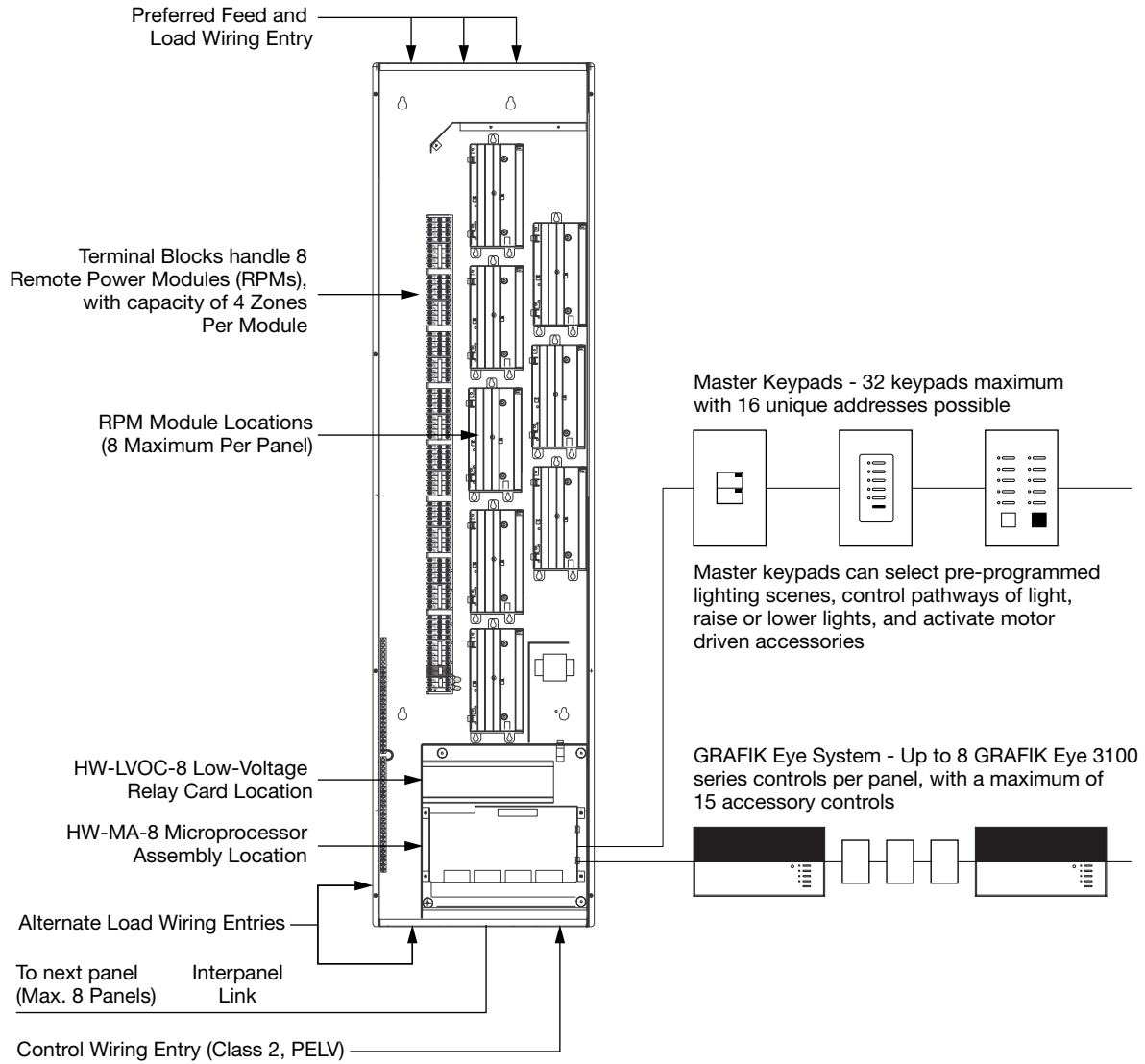
- HW-RPM0/0-230CE
- HW-RPM1/4-230CE
- HW-RPM2/8-230CE
- HW-RPM3/12-230CE
- HW-RPM4/16-230CE
- HW-RPM5/20-230CE
- HW-RPM6/24-230CE
- HW-RPM7/28-230CE
- HW-RPM8/32-230CE

Description

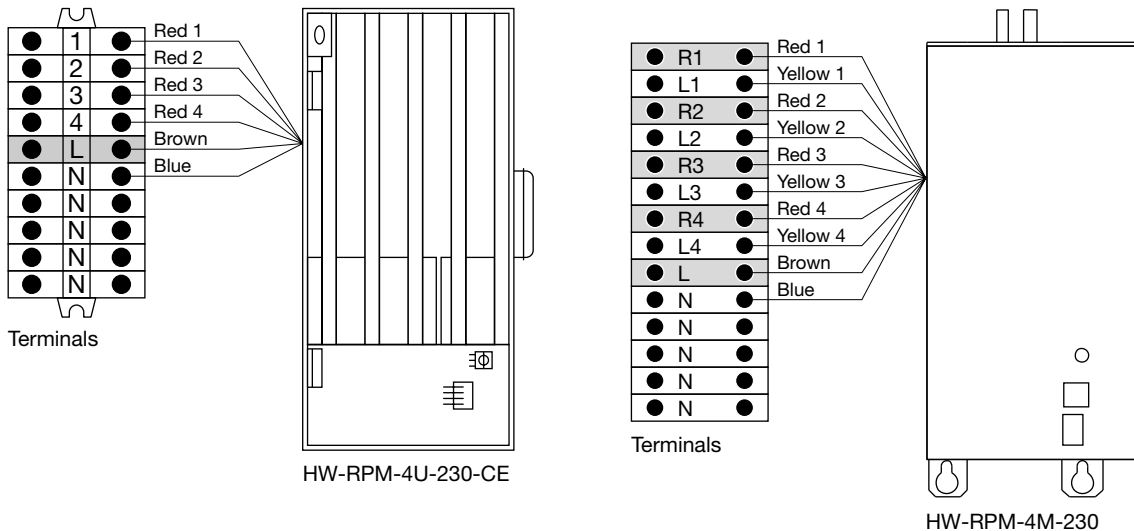
- Pre-wired panel with 0 modules (processor only)
- Pre-wired panel with 1 module
- Pre-wired panel with 2 modules
- Pre-wired panel with 3 modules
- Pre-wired panel with 4 modules
- Pre-wired panel with 5 modules
- Pre-wired panel with 6 modules
- Pre-wired panel with 7 modules
- Pre-wired panel with 8 modules
- Each module has 4 outputs



Overview of HomeWorks Integrated System



Typical Remote Power Module Wiring



Warranty

Lutron will, at its option, repair or replace any control that is defective in materials or manufacture within two years after the purchase. This warranty is in lieu of any other warranties, express or implied, and the implied warranty of merchantability is limited to two years from purchase. This warranty does not cover the cost of installation, removal or reinstallation, or damage resulting from misuse, abuse, or improper wiring or insulation. This warranty gives you specific legal rights, and you may also have other rights which vary from state to state. Some states do not allow the exclusion or limitation of incidental or consequential damages, or limitations on how long an implied warranty may last, so the above limitations and exclusions may not apply to you.