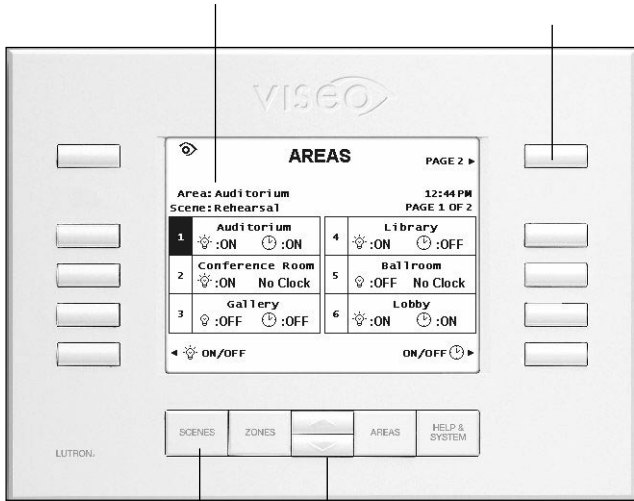


OMX-VDC-LB/OMX-VDC-LF Viseo Wallstation Control

Easy-to-read monochrome LCD - screen soft labels identify function of each button

New large button style available with matching buttons and faceplate



Navigation buttons provide direct access to every scene, zone, and area in the system

Raise/Lower buttons fine-tune the system

DESCRIPTION

The OMX-VDC-LB/OMX-VDC-LF Wallstation provides local access to the Lighting Control System.

- Works with GRAFIK 5000™ and GRAFIK 6000® Systems.
- Program, monitor, and operate every lighting zone and scene of a space or entire building from multiple locations.
- Offers an effective alternative to PC's and other plug-in devices for day-to-day operations.
- Automatically download data from your system without reprogramming.
- Modify preset light levels (changes are temporary by default).
- View the lighting status of all the areas in the system.
- View the timeclock status of all the areas in the system
- Take control of any zone or group of zones in any area; fine tune in 1% increments with graphic and numeric feedback.
- Program changes to preset light levels, including fade and delay times, in any area.
- Viseo menus and help screens can be displayed in one of 7 languages: English, French, German, Italian, Spanish, Portuguese, or Dutch.

DESIGN OPTIONS

Monochrome Color Options:

- High contrast blue/white - P/N OMX-VDC-LB-faceplate color
- Neutral black/white - P/N OMX-VDC-LF-faceplate color

COLOR AND FINISH CODES

Matte Finishes

White	WH
Ivory	IV
Beige	BE
Gray	GR
Brown	BR
Black	BL

Anodized Aluminum

Clear	CLA
Black	BLA
Brass	BRA

Metal Finishes

Bright Brass	BB
Bright Chrome	BC
Bright Nickel	BN
Satin Brass	SB
Satin Chrome	SC
Satin Nickel	SN
Antique Brass	QB
Antique Bronze	QZ

Custom Controls, color matching, and engraving available. Pricing and lead time may vary depending on colors, finishes, and options chosen.

JOB NAME:	MODEL NUMBERS:
JOB NUMBER:	

SPECIFICATIONS

Power

Operating voltage: Low-voltage Class 2/PELV, 32VDC.

Key Design Features

- Liquid Crystal Display (LCD)
 - Resolution: 320x240 pixels (QVGA)
- Adjustable contrast and CCT backlight brightness
- Change system time and date
- Off-line programming allows changes to preset light levels without affecting current lighting scene
- On-line programming allows for viewing changes to preset light levels as they are being made
- Central or local options: configure Viseo Wallstation for various control, monitoring and programming options for each individual area of the building
- Security: set-up and programming configuration options may be restricted via numeric passcode
- Field upgradeable software: future enhancements without hardware changes
- Menus and help screens can be displayed in one of 7 languages: English, French, German, Italian, Spanish, Portuguese, or Dutch.

System Communications and Capacity

- Low-voltage Class 2 (PELV) wiring connects Wallstations to Processor Panel.
- You can link up to 32 Wallstations, Control Units, and/or Control Interfaces per Class 2 (PELV) wiring link. See **Caution note on page 3** for details.

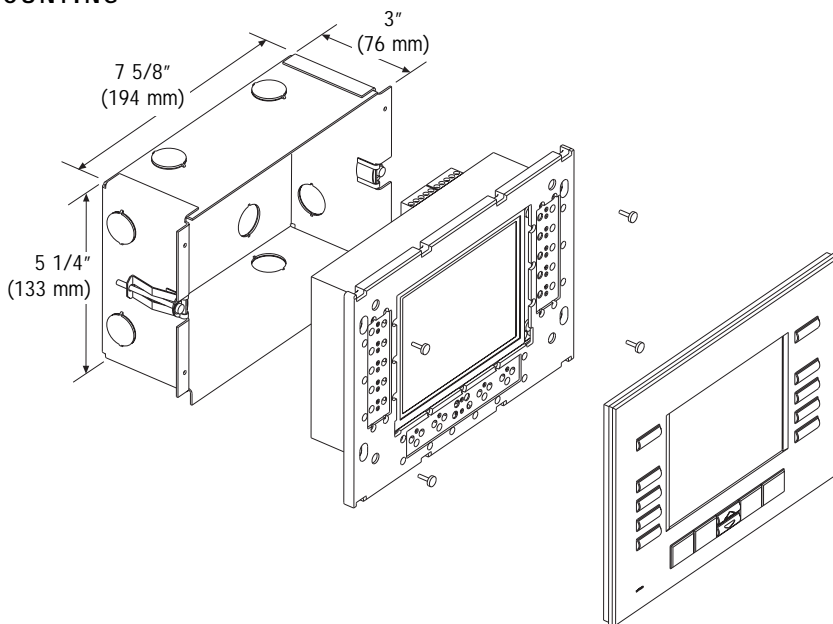
Terminals

Capacity: Accept up to two #18 AWG (1.0mm²) typical.

Environment

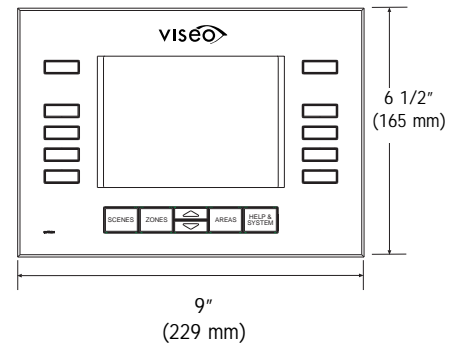
32-104°F (0-40°C). Relative humidity less than 90% non-condensing.

MOUNTING

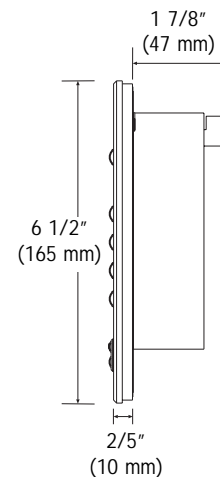


DIMENSIONS

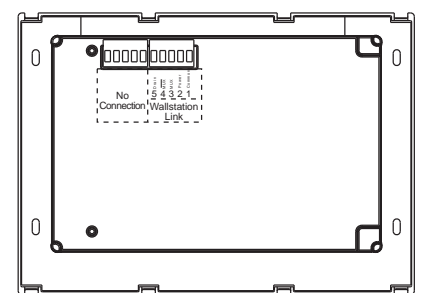
Front View



Side View



Back View



JOB NAME:	MODEL NUMBERS:
JOB NUMBER:	

LOW-VOLTAGE CLASS 2 (PELV) WIRING

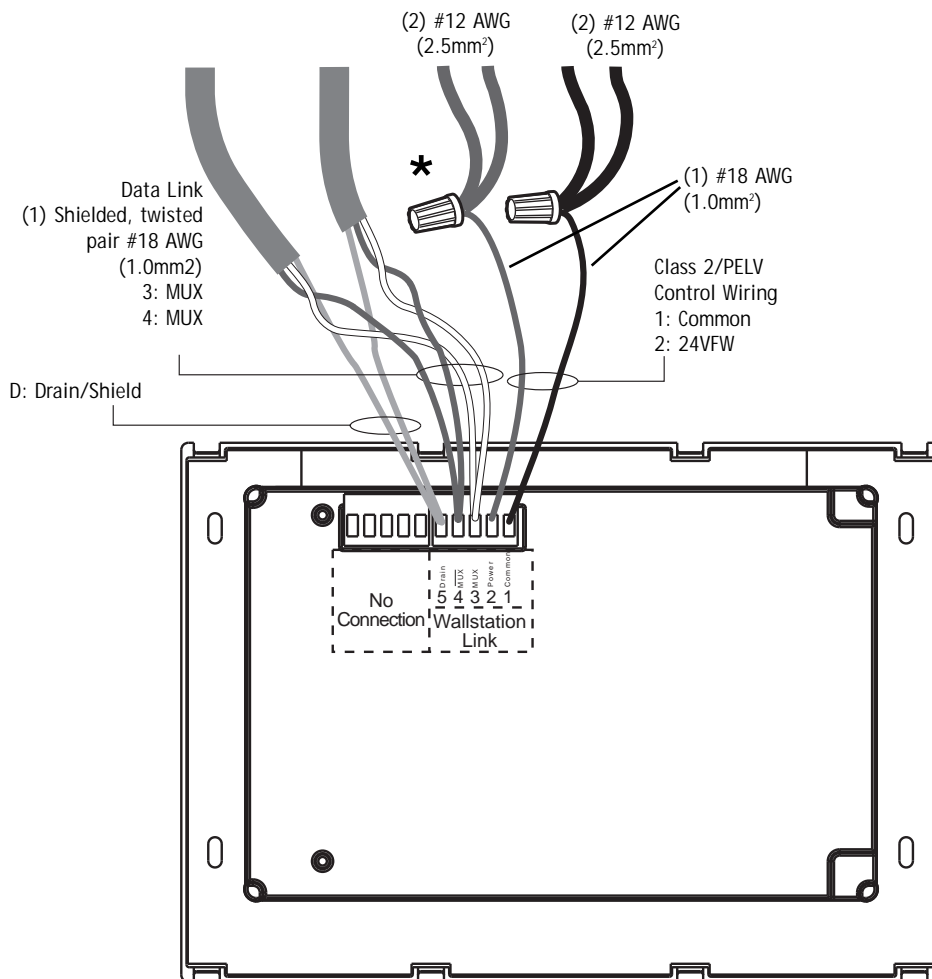
Use low-voltage Class 2 (PELV) wiring to daisy-chain Wallstations to the Processor Panel.

- Two #12 AWG (2.5mm²) conductors for common (terminal 1) and 24VFW (terminal 2). These won't fit in terminals. Connect as shown.
- One shielded, twisted pair #18 AWG (1.0mm²) for data link (terminals 3 and 4).
- Connect Drain/Shield as shown.



Caution! Viseo requires the power equivalent of four(4) typical OMX Wallstations. If the total power draw on the link is greater than 32 typical OMX Wallstations, a MX-RPTR is required.

* Use appropriate wire connecting devices as specified by local codes.



JOB NAME:	MODEL NUMBERS:
JOB NUMBER:	