

# EVOKE 2.9" LED ROUND DOWNLIGHT

E2.9RDS  
LED

## APPLICATION:

Commercial and retail ambient and task lighting

## HOUSING CONSTRUCTION:

20 ga. steel painted matte black  
Formed aperture plate with  $\frac{3}{8}$ " lip  
Integral adjustable locking mounting bars  
Thermally protected  
Sliding mechanism allows for servicing of LED driver  
Extruded aluminum heat sink

## OPTICS:

LED Cluster:  
Color Temperature: 2950k - 3150k warm white  
CRI: 85  
Lumen Output: 910  
Beam Angle:  $60^\circ$  (s/mh = 1.0)  
Life: 50,000 hr at 70% initial lumen output

## REFLECTOR CONSTRUCTION:

Spun aluminum self flanged reflector  
Variety of anodized aperture finishes in both white and clear flange

## MOUNTING:

For use in T-grid or sheet rock ceilings  
Max. ceiling thickness - 1"

## LABELING:

UL and CUL listed  
Damp location

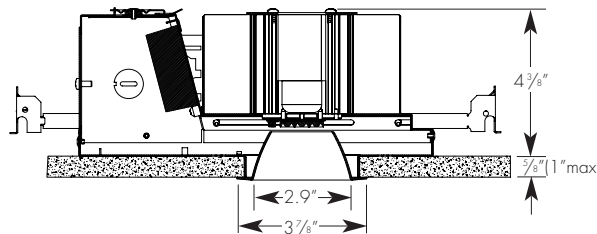
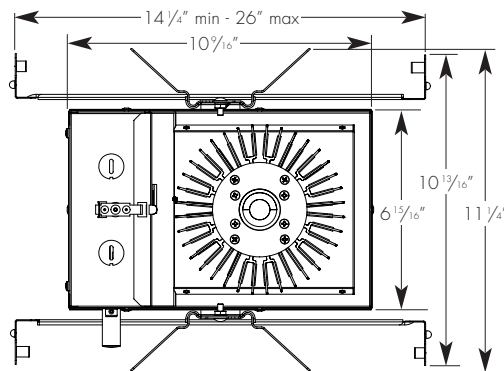


PROJECT:

TYPE:

**ecotectural**

Architectural lighting for sustainable design.



Ceiling cut out dimension:  $3\frac{7}{16}$ " dia.

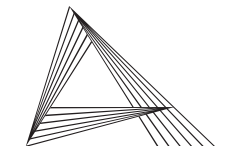
## ELECTRICAL

Lamping

Ballast	Input volts	Amps
Electronic	120v	.22
	277v	.10

Class 2 constant current driver

Amerlux reserves the right to change details that do not affect overall function and performance.



**AMERLUX**  
LIGHTING SOLUTIONS

ADAPT. ABILITY.™

## ORDERING INFORMATION:

HOUSING Model #	Wattage	Lamp Type	Voltage	Color Temperature	REFLECTOR Model #	Aperture Finish
E2.9RD	25	LED - light emitting diode	120 277	3000	E2.9RDS	Reflector with White Painted Flange SDW - semi-diffused clear GDW - specular gold BKW - specular black MWW - matte white Reflector with Clear Flange (flange finish matches cone finish) SDC - semi-diffused clear GDC - specular gold BKC - specular black

Complete Unit Specification: E2.9RD-25-LED-120-3000/E2.9RDS-SDW

Housing Only: E2.9RD-25-LED-120-3000

Reflector Only: E2.9RDS-SDW

Cat #:

# EVOKE 2.9" LED ROUND DOWNLIGHT

E2.9RDS  
LED



TYPE:

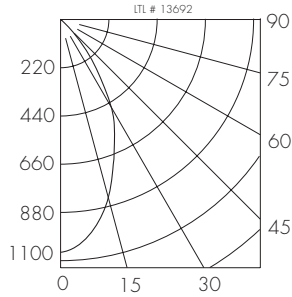
**ecotECTURAL**  
Architectural lighting for sustainable design.



**FIXTURE DATA:**

Complete photometric data (.ies format) available upon request.

**25W LED CLUSTER**

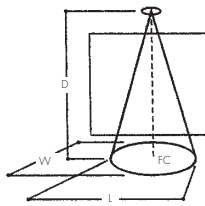


Candelas at Nadir	
Deg	Candela
0	1062
5	1027
15	841
25	581
35	302
45	73

**APPLICATION DATA:**

**Notes and Definitions:**

- Beam spread is to 50% center beam candlepower (CBCP).
- D=Distance to floor or wall.
- FC=Footcandles on floor or wall at center beam aiming location.
- L=Effective Visual Beam length in feet (50% of maximum footcandle level).
- W=Effective Visual Beam width in feet (50% of maximum footcandle level).
- CB=Distance across or down to center beam location.



0° Aiming Angle  
Horizontal  
Footcandles

D	FC	L	W
5.0'	39	5.0	5.0
7.5'	18	6.2	6.2
10.0'	10	8.2	8.2
12.5'	7	10.4	10.4

**MULTIPLE UNIT DATA**

On Center Spacing	Initial Footcandles	Room Size
6'	27	36'x36'
8'	15	48'x48'
10'	10	60'x60'

Initial Footcandles = average illuminance on floor  
80/50/20% Reflectances  
Ceiling Height = 10'