

## RadioRA Network Control Interface

The *RadioRA* Network Control Interface (NCI) allows you to control lighting throughout your home—via any popular web browser—while utilizing an existing home network.

### Features

- Provides web-based control of the *RadioRA* system.
- 8 customizable control pages each with 5, 10, or 15 buttons.
- Works with popular web browsers.
- Control via popular devices (PC, PDA, touch screen, etc.).
- Can integrate with Microsoft® Windows® XP Media Center Edition 2005.
- Firmware upgradable over the internet.
- Simple connection to the *RadioRA* system and home network.
- Easy to configure via web-based setup utility.
- DHCP enabled—automatically attaches to the home network.



Job Name:

Model Numbers:

Job Number:

## Specifications

### Standards

- UL Listed (Adapter).

### Power

- AC Adapter:
  - Input power: 120 V~ 60 Hz
  - Output power: 12 V= 300 mA
- Use only the Adapter provided by Lutron with the RA-NET-120.

### Data Retention

- Configuration is saved to non-volatile flash memory.

### Key Design Features

- Provides web-based control of the *RadioRA* system.
- 8 customizable control pages each with 5, 10, or 15 buttons.
- Works with popular web browsers.
- Control via popular devices (PC, PDA, touch screen, etc.).

- Can integrate with Microsoft® Windows® XP Media Center Edition 2005.
- Firmware upgradable over the internet.
- Simple connection to the *RadioRA* system and home network.
- Easy to configure via web-based setup utility.
- DHCP enabled—automatically attaches to the home network.

### Required Components

- RS232 Interface or Chronos™ System Bridge and Timeclock.
- PC or other web browser-enabled device capable of browsing the NCI setup pages.
- Available ethernet port on a home or office network with a DHCP server (commonly found in routers, but not in hubs or switches).

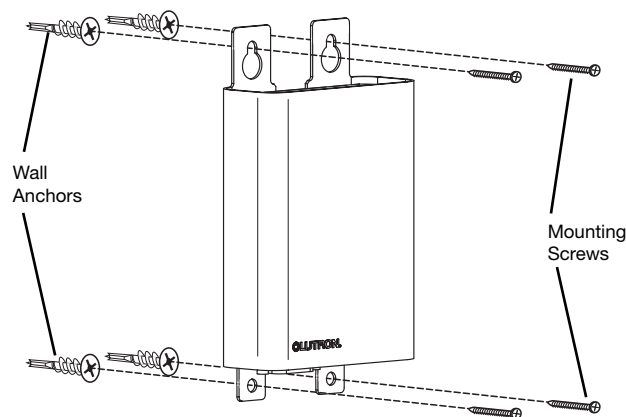
### Environment

- Ambient operating temperature: 0-40 °C, 32-104 °F
- 0-90% humidity, non-condensing.
- Indoor use only.

### Warranty

- 1-year Limited Warranty.

## Mounting

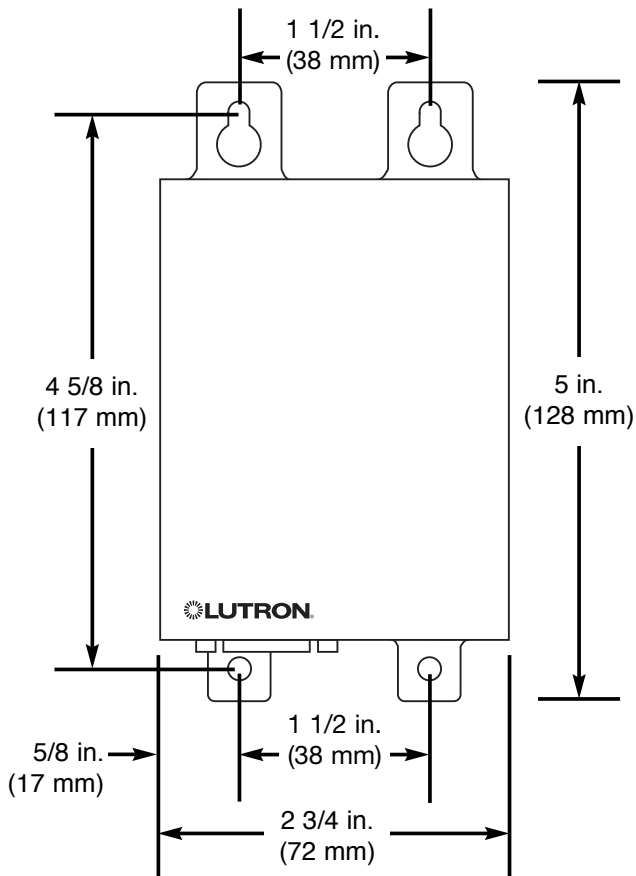


Microsoft and Windows are registered trademarks of the Microsoft Corporation, Redmond, Washington.

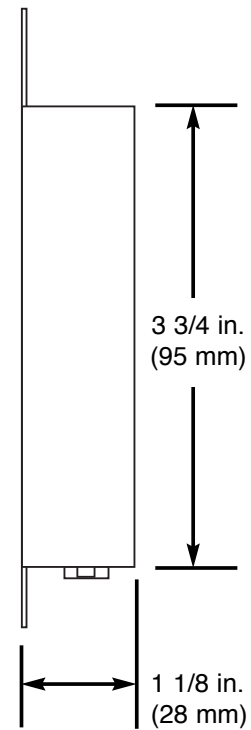
Job Name:	Model Numbers:
Job Number:	

### Dimensions

Front View

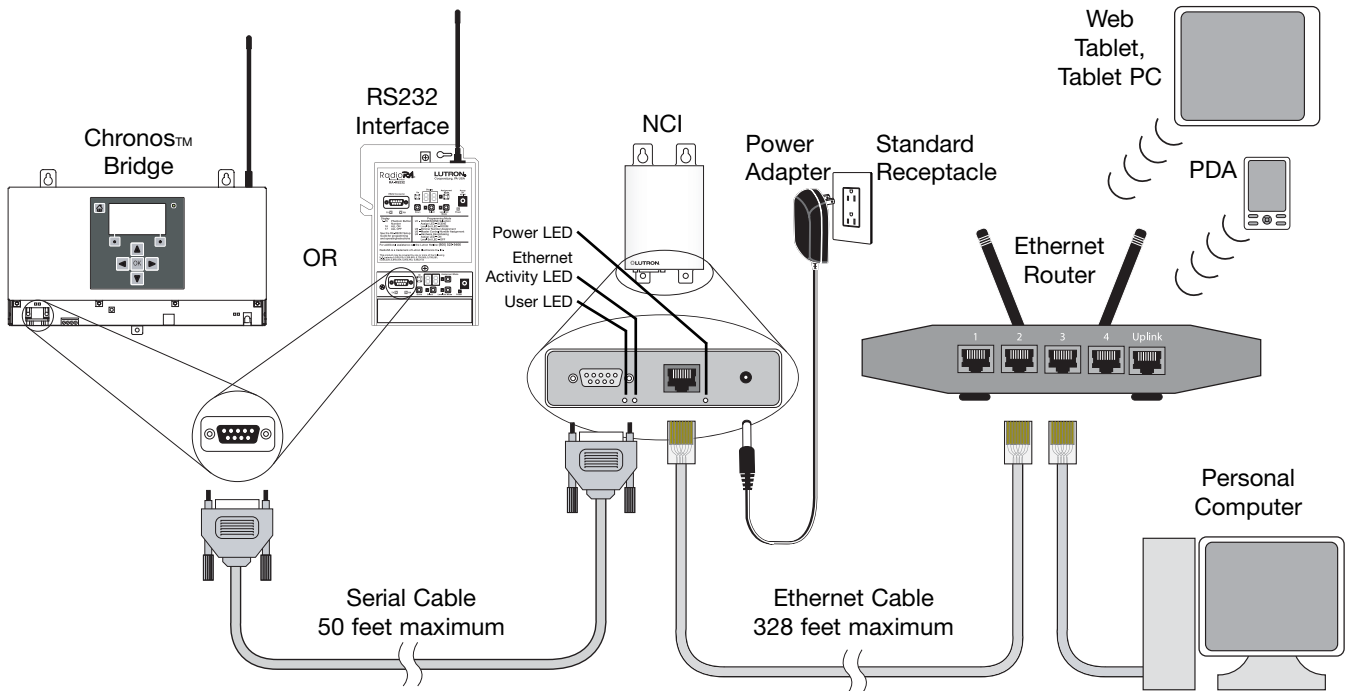


Side View



Job Name:	Model Numbers:
Job Number:	

# Connections



Job Name:	Model Numbers:
Job Number:	