

Recommended Loading for Dual Rania® Universal Dimmers

OVERVIEW

Lutron Dual Rania® series dimmers have minimum load ratings for each zone to insure proper operation. Certain interfaces and power-boosters, such as the RN-PB, do not provide this minimum load to ensure proper operation of the Dual Rania® family of dimmers.

The table below outlines the acceptable loading for each zone of the Dual Rania® dimmers.

POSSIBLE CONFIGURATIONS

	Zone 1	50 - 250 W / VA ELV/MLV/INC	Recommended
	Zone 2	50 - 250 W / VA ELV/MLV/INC	
	Zone 1	50 - 250 W / VA ELV/MLV/INC	Recommended
	Zone 2	RN-PB	
	Zone 1	RN-PB	Recommended
	Zone 2	50 - 250 W / VA ELV/MLV/INC	
	Zone 1	50 - 250 W / VA ELV/MLV/INC	Not Recommended Solution: Add at least 50 W / VA INC/ELV/MLV load to Zone 2
	Zone 2	Unloaded	
	Zone 1	Unloaded	Not Recommended Solution: Add at least 50 W / VA INC/ELV/MLV load to Zone 1
	Zone 2	50 - 250 W / VA ELV/MLV/INC	
	Zone 1	RN - PB	Not Recommended Solution: See figure 1.
	Zone 2	RN - PB	

**Need additional assistance? Call the Lutron Technical Support Center 0800-282107.
Please provide exact model number when calling.**

WIRING DIAGRAMS

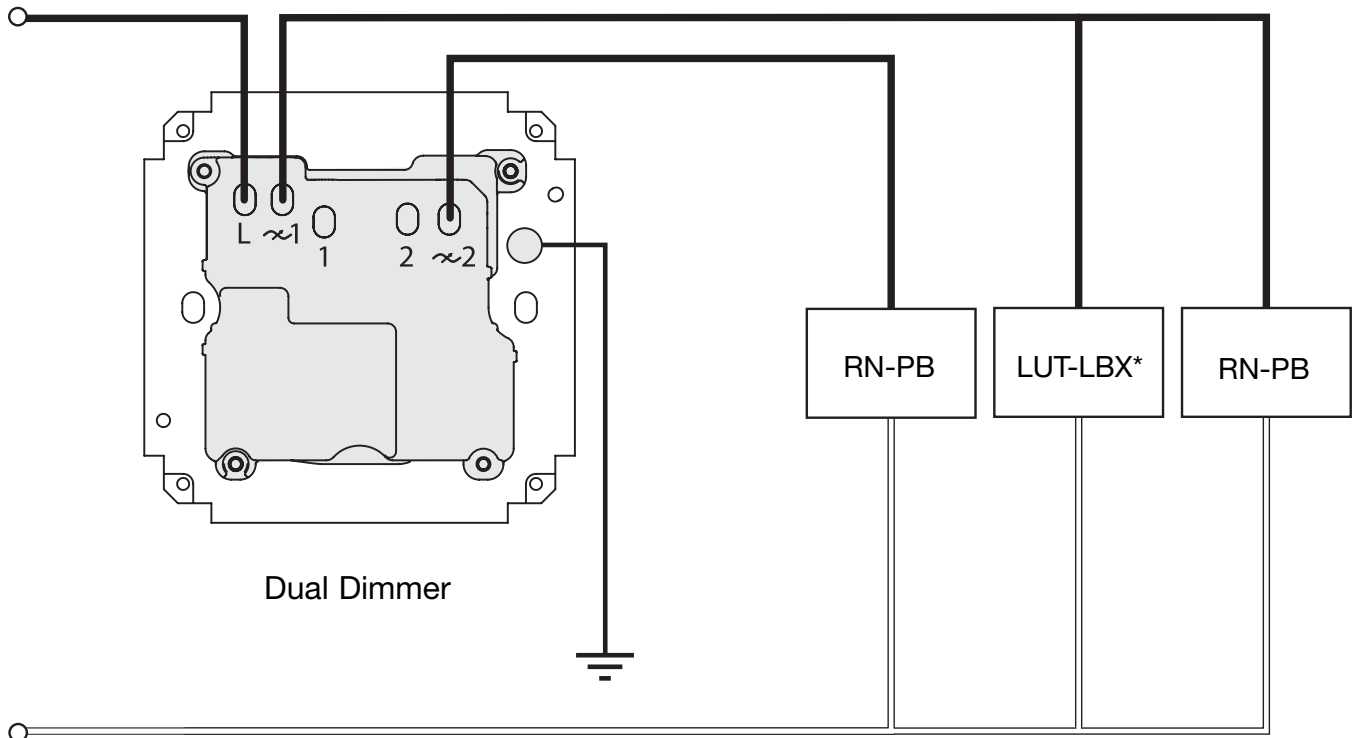


Figure 1: Connect LUT-LBX in parallel with the Zone 1 RN-PB. For details on proper wiring of the RN-PB and LUT-LBX modules, please see the included installation manuals.

*LUT-LBX available Q2 2007.

Worldwide Technical and Sales Assistance

If you need assistance call the toll-free **Lutron Technical Support Center**. Please provide exact model number when calling.

Lutron EA LTD

Tel: +44 (0) 207 702 0657
 Fax: +44 (0) 207 480 6899
www.lutron.com/europe

Lutron GL LTD

Tel: +852-2104-7733
 Fax: +852-2104-7633
www.lutron.com/asia

FREEPHONE:

U.K.: 0800-282107
 Spain: 900-974452
 Northern China: 10-800-712-1536
 Southern China: 10-800-120-1536
 Macau: 0800-401
 Hong Kong: 800-901-849
 Singapore: 800-120-4491
 Taiwan: 00-801-137-737
 Thailand: 001-800-120-665853
 Indonesia: 001-803-011-3994

Lutron EA Ltd.

Lutron House
 6 Sovereign Close
 Wapping, London E1W 3JF, England

Lutron GL Ltd.

Room 2808, 28/F
 248 Queen's Road East
 Wanachai, Hong Kong

Lutron is a registered trademark of Lutron Electronics Co., Inc.
 © 2007 Lutron Electronics, Co., Inc. 3/07 P/N 048-174 Rev. B

Need additional assistance? Call the Lutron Technical Support Center 0800-282107.
 Please provide exact model number when calling.