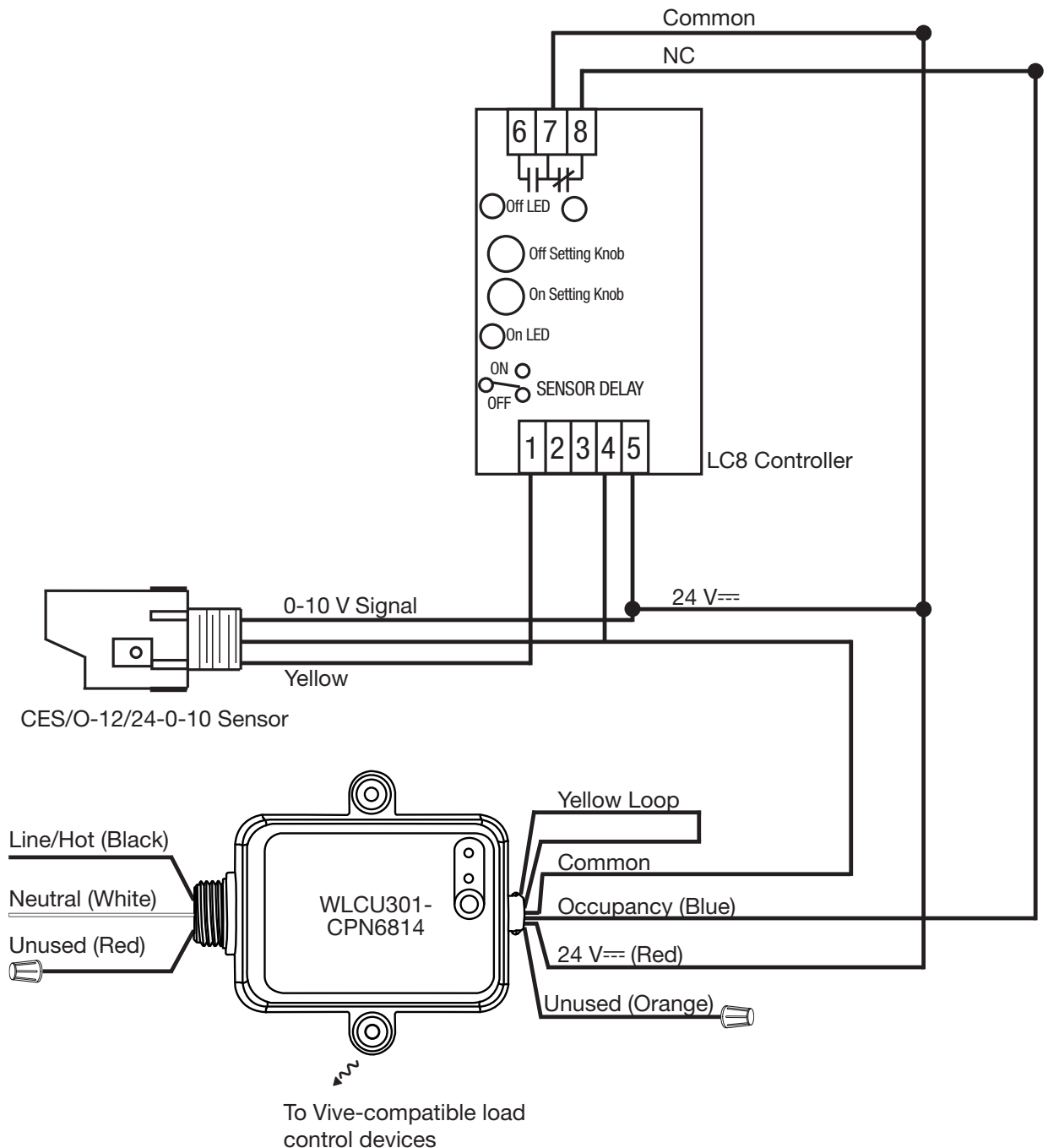


Using Vive for Exterior Daylight Control

Using Vive for exterior daylight control is possible when applying a WLCU301-CPN6814 and Daylight Control Package (GRX-CESO-xxx PKG). In this use case, the Daylight Control Package allows Lutron lighting control systems (such as Vive) to respond to ambient light levels in an outdoor application. The WLCU301-CPN6814 takes the wired sensor input from the Daylight Control Package and transmits Lutron Clear Connect commands back to the Vive system, similar to a Radio Powr Savr daylight sensor – see **Wiring Diagram and Connections Table** for details.

Note that unlike the Radio Powr Savr daylight sensor (LRF2-DCRB-WH), the Daylight Control Package features only adjustable on and off, and not continuous dimming.

Wiring Diagram



Connections Table

WLCU301-CPN6814	LC8 Controller	CES/O-12/24-0-10 Sensor
	Pin 1	Yellow
	Pin 4	Black
	Pin 5	Red
24 V---	Pin 7	
Occupancy	Pin 8	

Additional Notes

1. See the **Daylight Control Package** Specification Submittal (P/N 369746) for programming details for setting thresholds on an LC8 controller on www.lutron.com.
2. While the WLCU301-CPN6814 is programmed as an occupancy sensor in a Vive system, it should be the only occupancy sensor in the area.
3. Do **NOT** combine two controls with a time clock in the same area. See the **Design Recommendations When Using Multiple Control Strategies** App Note #629 (048629) at www.lutron.com for more information.
4. Light level is established through the WLCU301-CPN6814 occupancy sensor settings.
5. When Interfacing to a Lutron system, the N.C. contact will turn the lights ON (contact closure CLOSE) when the daylight levels are low and the lights turn OFF (contact closure OPEN) when the daylight levels are high.

Lutron, Clear Connect, and Vive are trademarks of Lutron Electronics Co., Inc., registered in the U.S. and other countries.

Radio Powr Savr is a trademark of Lutron Electronics Co., Inc.

Lutron Contact Numbers

WORLD HEADQUARTERS

USA
Lutron Electronics Co., Inc.
7200 Suter Road
Coopersburg, PA 18036-1299
 TEL: +1.610.282.3800
 FAX: +1.610.282.1243
support@lutron.com
www.lutron.com/support

North & South America
Customer Assistance
USA, Canada, Caribbean:
 1.844.LUTRON1 (1.844.588.7661)
Mexico:
 +1.888.235.2910
Central/South America:
 +1.610.282.6701

EUROPEAN HEADQUARTERS

United Kingdom
Lutron EA Limited
125 Finsbury Pavement
4th floor, London EC2A 1NQ
United Kingdom
 TEL: +44.(0)20.7702.0657
 FAX: +44.(0)20.7480.6899
 FREEPHONE (UK): 0800.282.107
 Technical Support: +44.(0)20.7680.4481
lutronlondon@lutron.com

ASIAN HEADQUARTERS

Singapore
Lutron GL Ltd.
390 Havelock Road
#07-04 King's Centre
Singapore 169662
 TEL: +65.6220.4666
 FAX: +65.6220.4333
 Technical Support: 800.120.4491
lutronsea@lutron.com

Asia Technical Hotlines

Northern China: 10.800.712.1536
 Southern China: 10.800.120.1536
 Hong Kong: 800.901.849
 Indonesia: 001.803.011.3994
 Japan: +81.3.5575.8411
 Macau: 0800.401
 Taiwan: 00.801.137.737
 Thailand: 001.800.120.665853
 Other Countries: +65.6220.4666