

Removal of Dual Fascia from Contract Roller Shades

Overview

Use this method to safely remove installed fascia from dual Contract Roller Shade systems (manual and motorized).

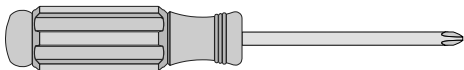
Safety

⚠ CAUTION: RISK OF FALLING OBJECTS.

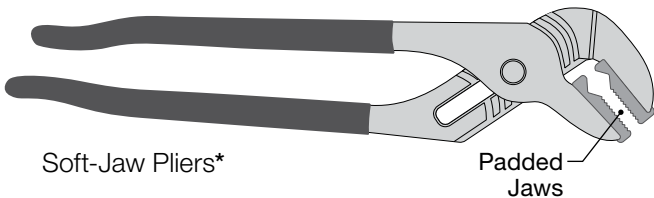
Failure to read and follow all instructions for removal of dual fascia could result in minor to moderate injury.

Dual fascia is designed to attach securely to the shade brackets (manual systems) or sub-brackets (motorized systems) of Contract Roller Shade systems. Removal of the fascia may require application of force. Ensure all tools and ladders to be used are in good working order and safe footing is available. For systems wider than 48 in (1219 mm), this operation requires 2 people (and 2 ladders if applicable), to ensure safe handling of parts and equipment.

Tools Required



Phillips Screwdriver

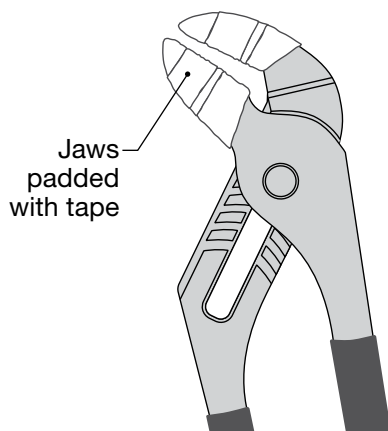


Soft-Jaw Pliers*

Padded Jaws

***IMPORTANT:** To protect the fascia finish from damage, use only soft-jaw pliers to remove the fascia.

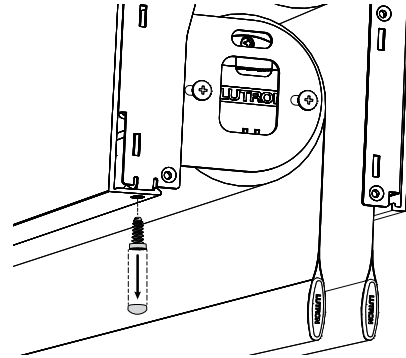
If soft-jaw pliers are not available, use several layers of heavy tape or similar protective material to pad the jaws of regular pliers as shown. Ensure both jaws are completely covered, with no metal edges exposed.



Jaws padded with tape

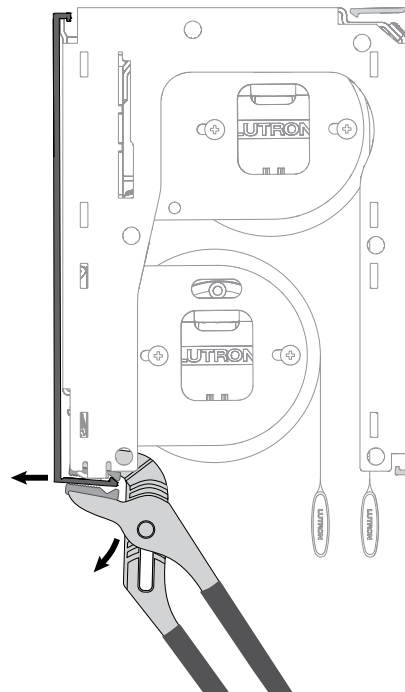
Remove the Securing Screws

1. Remove the cap and securing screw at each end of the fascia. (Motorized system shown; manual is similar.)



Remove the Fascia

1. Ensure the fascia is firmly supported at both ends to prevent it from falling.
2. Using the padded pliers, grasp the lower flange of the fascia near the bracket from behind as shown, and pull the bottom of the fascia down and away from the shade to release the fascia from the bracket.



3. Repeat step 2 at the other end of the system to release the bottom of the fascia from the other bracket.
4. Lift the fascia off both brackets.