

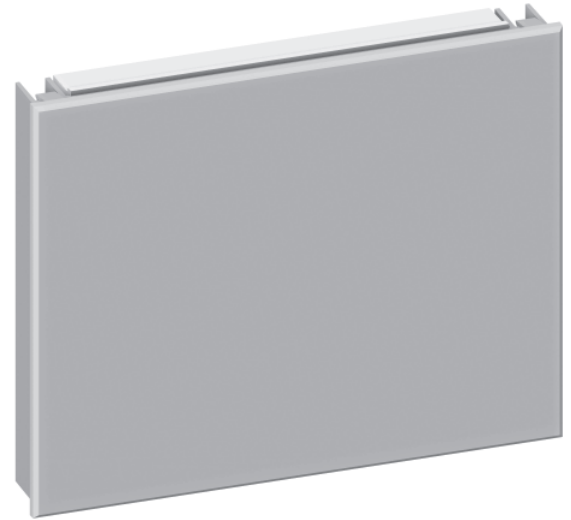
3-Wire Fluorescent Power Module

Description

- Provides capability for a zone on a GRAFIK Eye control unit (or other product) to dim fluorescent lights that have Lutron Hi-lume and Eco-10 (Eco Series) line-voltage control electronic dimming ballasts.
- Utilizes Softswitch arcless switching technology.
- Up to 3 power modules may be wired on a single GRAFIK Eye zone.
- Models available for 120 V \sim control power.
- Models available for 120 V \sim or 120–277 V \sim load power.

Works with 120 V \sim versions of:

- Lutron 3-wire fluorescent dimmers (consult Lutron for Verti products); see approved list in the dimmers and switches specification guide at www.lutron.com
- GRAFIK Eye QS control units
- GRAFIK Eye 3000 Series control units
- LP, LCP, and GP dimming panels
- HomeWorks and HomeWorks QS remote power panels
- HomeWorks and HomeWorks QS neutral wire dimmers
- RadioRA 2 neutral wire dimmers
- Caseta Wireless neutral wire dimmers



Models and Capacities

Model Number	Control Power	Load Power	Capacity
PHPM-3F-DV-WH	120 V \sim	120–277 V \sim	16 A
PHPM-3F-120-WH	120 V \sim	120 V \sim	16 A

Job Name:	Model Numbers:
Job Number:	

Specifications

Regulatory Approvals

- UL® listed
- CSA certified
- NOM certified
- Complies with requirements for use in other spaces used for environmental air (plenums) per NEC® 2014 300.22(C)(3)

Power

- Control voltage: 120 V~
- Load voltage: 120 V~ only for PHPM-3F-120-WH
120–277 V~ for PHPM-3F-DV-WH
- Capacity: Full 16 A
120 V~: 1920 W
120–277 V~: 1920–4432 W
- Frequency: 50/60 Hz, phase-to-neutral.
- Load (output) power: Phase independent of control device/control voltage.

Sources/Load Types

- Operates Lutron Hi-lume, Eco-10 (Eco Series), Hi-lume Compact SE, EcoSystem, and EcoSystem compact line-voltage control electronic dimming ballasts with a smooth continuous Square-Law dimming curve.

Key Design Features

- Patented RTISS Equiped circuitry compensates in real time for incoming line-voltage variations: Compensates for +/-2% change in RMS voltage/cycle and +/-2% Hz change in frequency/second.
- Provides air-gap off.
- Module protects itself during temporary over-current conditions on dimmed output.
- Two LEDs on front of unit provide diagnostic information (visible when faceplate is removed).

Terminals

- Accept up to two 12 AWG (2.5 mm²) wires.

Environment

- 32 °F to 104 °F (0 °C to 40 °C). Relative humidity less than 90% non-condensing.
- Indoor use only.
- Maximum heat output of module: 15 BTU/hour.

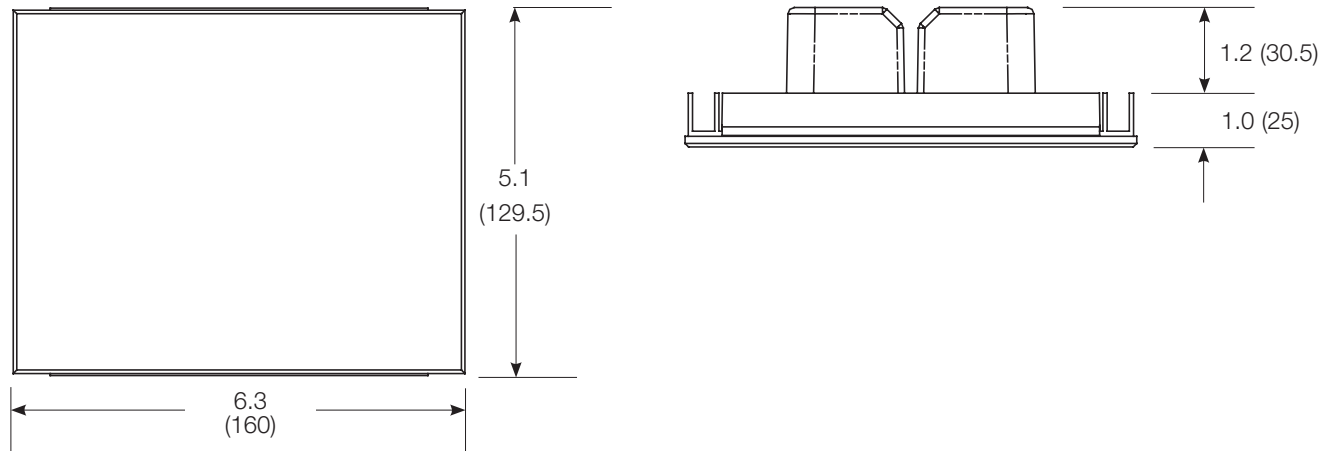
Mounting

- Surface- or recess-mount.

Job Name: Job Number:	Model Numbers:
--	-----------------------

Dimensions

All dimensions shown as: in (mm)



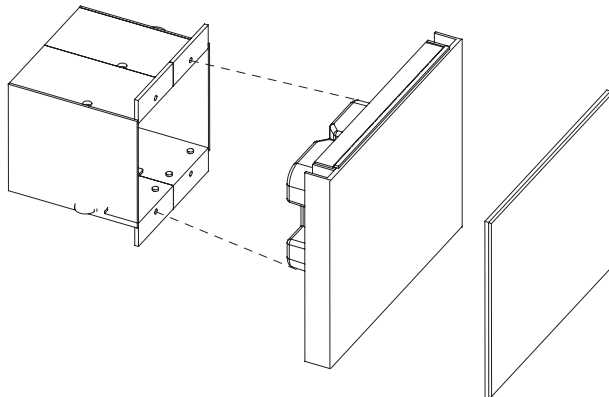
Job Name: Job Number:	Model Numbers:
------------------------------	----------------

Mounting

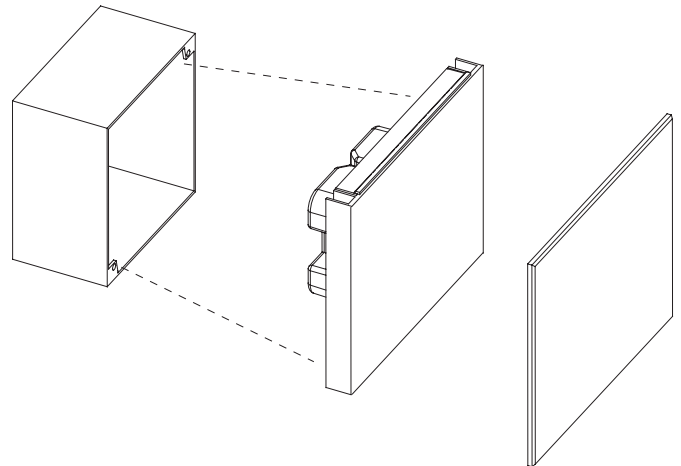
- Mount in 2-gang U.S. wallbox 3.5 in (89 mm) deep or 4 in x 4 in (102 mm x 102 mm) junction box 2.1 in (53 mm) deep.
- Indoor use only.
- This device generates heat; mount only where ambient temperature is 32 °F to 104 °F (0 °C to 40 °C).
- Mount with arrows facing up to ensure adequate cooling.

- Allow 4.5 in (114 mm) above and below unit and between faceplates when mounting several in a vertical layout.
- Mount so line (mains) voltage wiring is at least 6 ft (1.8 m) from sound or electronic equipment and wiring.
- Mount within 7° of true vertical.

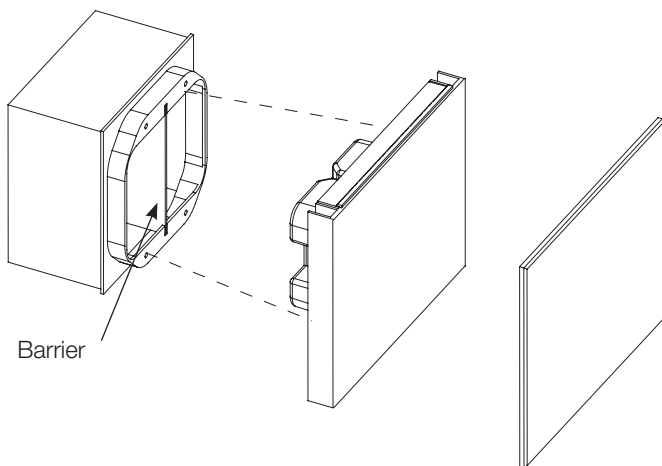
Mount to 2-gang U.S. wallbox



Mount to 4 in x 4 in (102 mm x 102 mm), 2.1 in (53 mm) deep U.S. junction box



Mount to 4 in x 4 in (102 mm x 102 mm), 2.1 in (53 mm) deep U.S. junction box with barrier (for 277 V~ model if required by local electrical code)



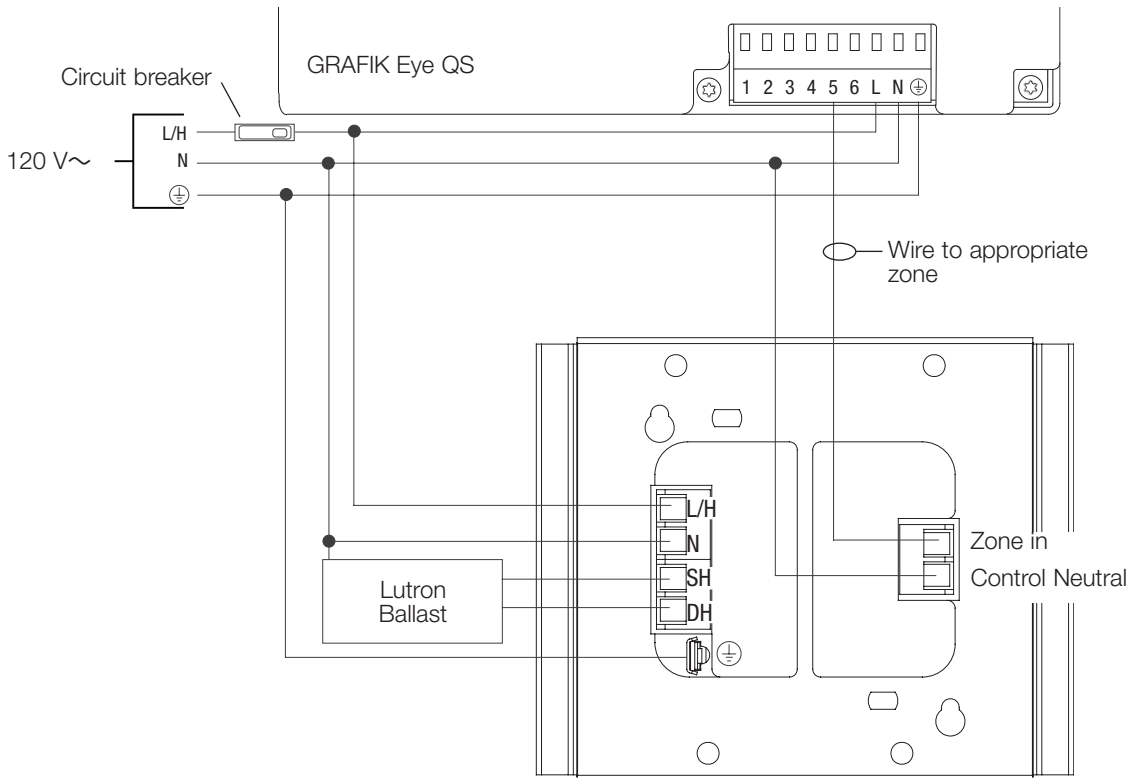
Job Name:	Model Numbers:
Job Number:	

Wiring

- Pull 12 AWG (2.5 mm²) copper (Cu) wires [167 °F (75 °C) minimum] for input power and load circuit.
- Strip 1/2 in (12 mm) insulation from wires before connecting.
- Run separate neutral for load circuit - no common neutrals.

Single Power Feed

The power module may be on the same circuit as the control unit only if the total load does not exceed the rating of the breaker.



Legend

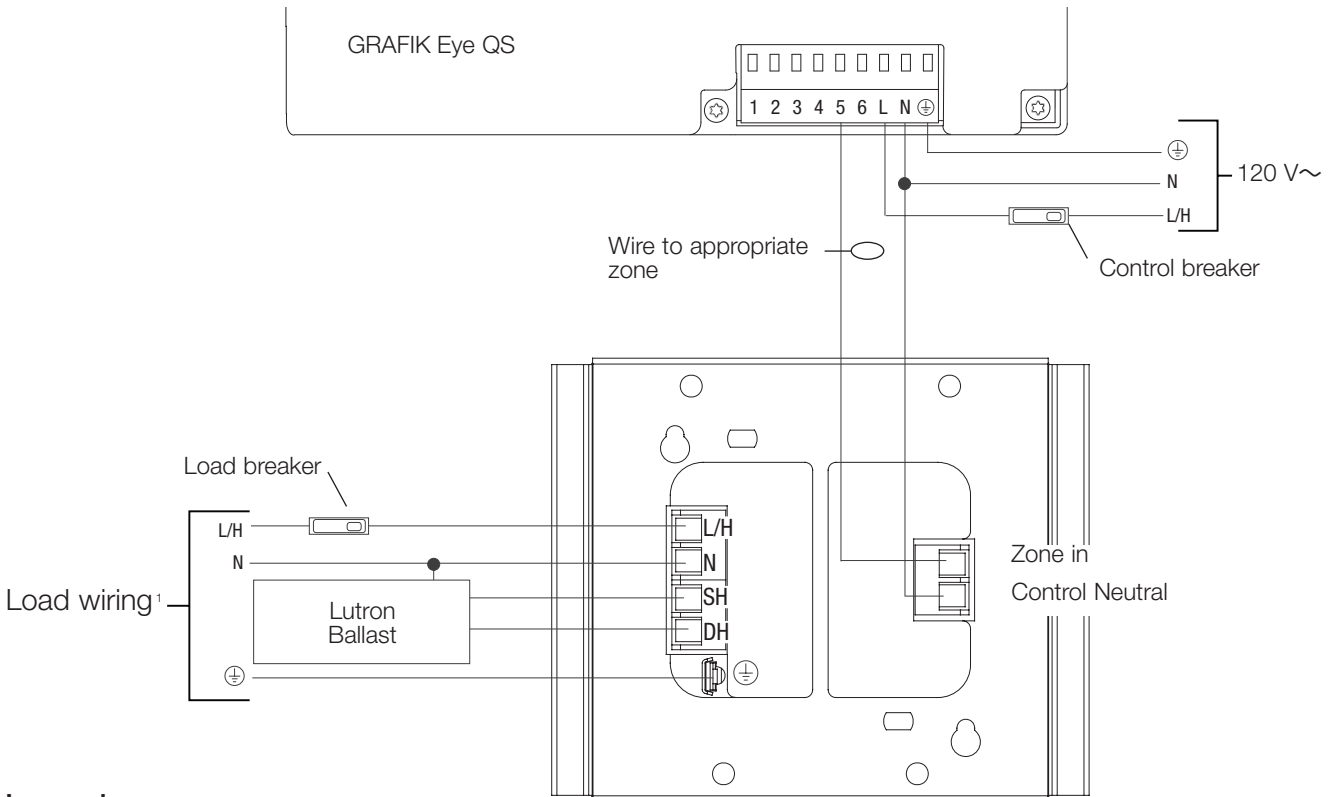
- L/H Line/Hot
- N Neutral
- SH Switched Hot
- DH Dimmed Hot
- ⊕ Ground
- ⊘ Not Used

Job Name:	Model Numbers:
Job Number:	

Wiring (continued)

Multiple Power Feeds

The load breaker may be on a different phase than the control breaker.



Legend

- L/H Line/Hot
- N Neutral
- SH Switched Hot
- DH Dimmed Hot
- ⊕ Ground
- ⊘ Not Used

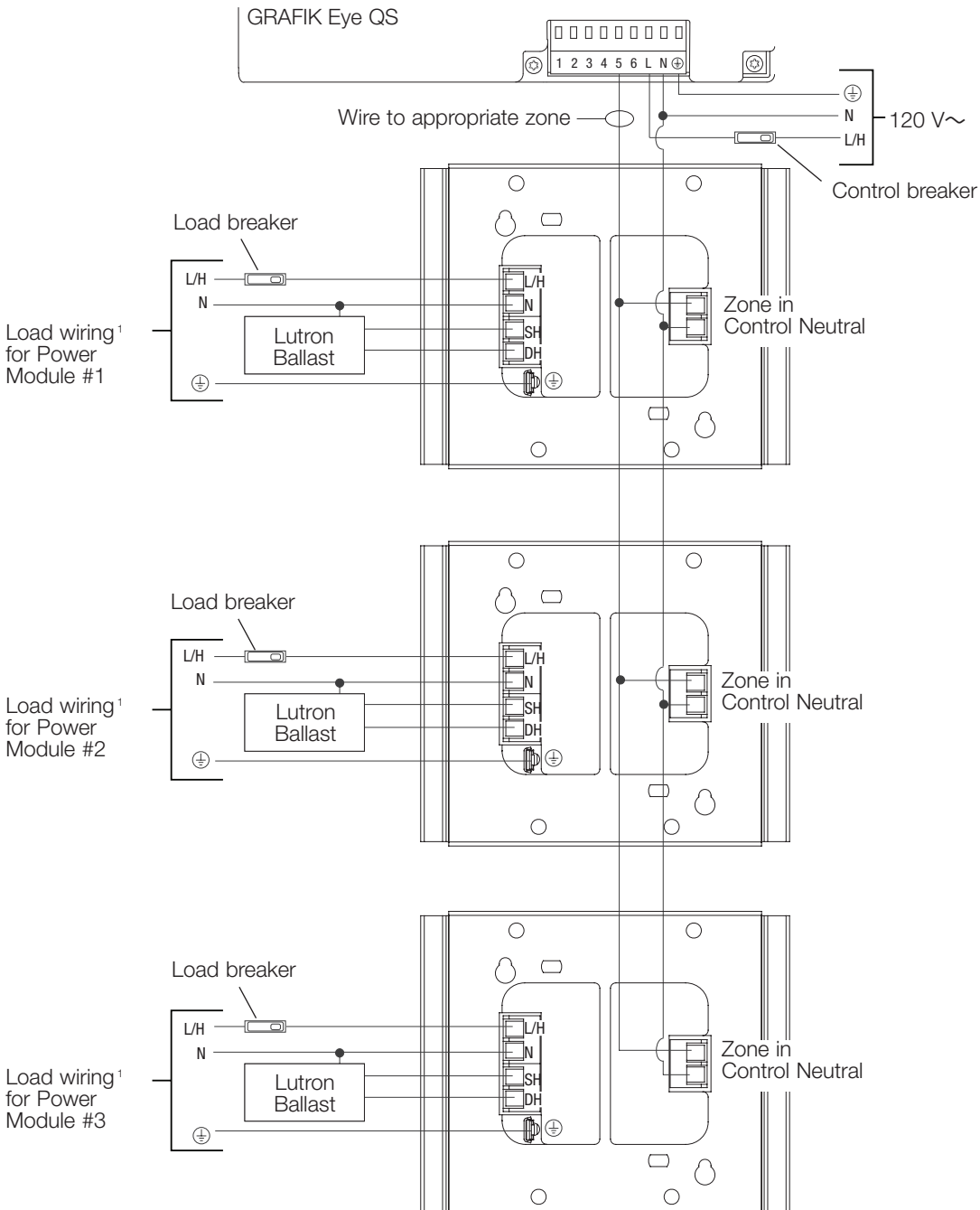
¹ Load feed: 120 V~ for PHPM-3F-120-WH; 120 – 277 V~ for PHPM-3F-DV-WH

Job Name:	Model Numbers:
Job Number:	

Wiring (continued)

Multiple Power Modules to a Single GRAFIK Eye Zone

Shown with separate feeds for control and loads. All breakers must be turned off prior to installing or servicing the modules. Up to 3 power modules may be wired to a single zone.



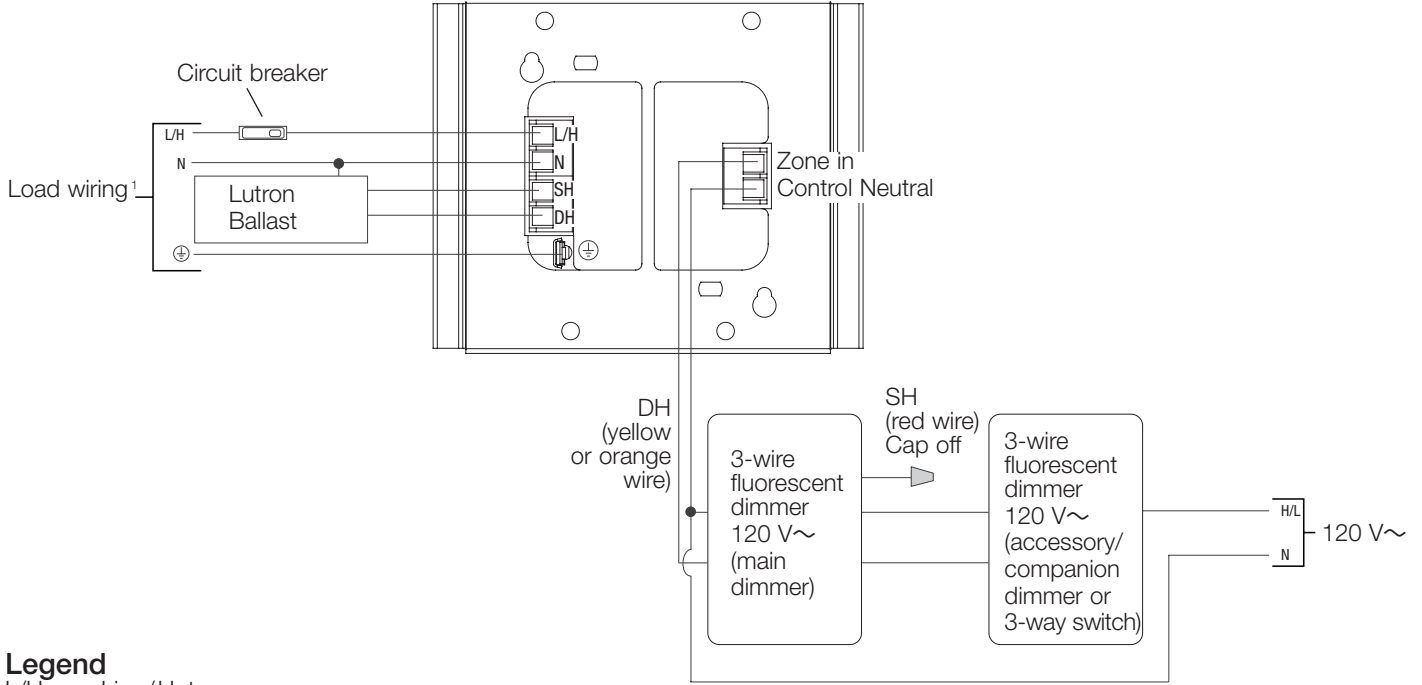
¹ Load feed: 120 V~ for PPHM-3F-120-WH; 120 – 277 V~ for PPHM-3F-DV-WH

Job Name:	Model Numbers:
Job Number:	

Wiring (continued)

Multi-location Wiring

The power module may be on the same circuit/control zone as the control device only if the total load does not exceed the rating of the breaker (120 V~ only).



Legend

- L/H Line/Hot
- N Neutral
- SH Switched Hot
- DH Dimmed Hot
- ⊕ Ground
- ⊖ Not Used

For specific wire colors, see the wallbox lighting controls catalog at www.lutron.com/wallbox catalog

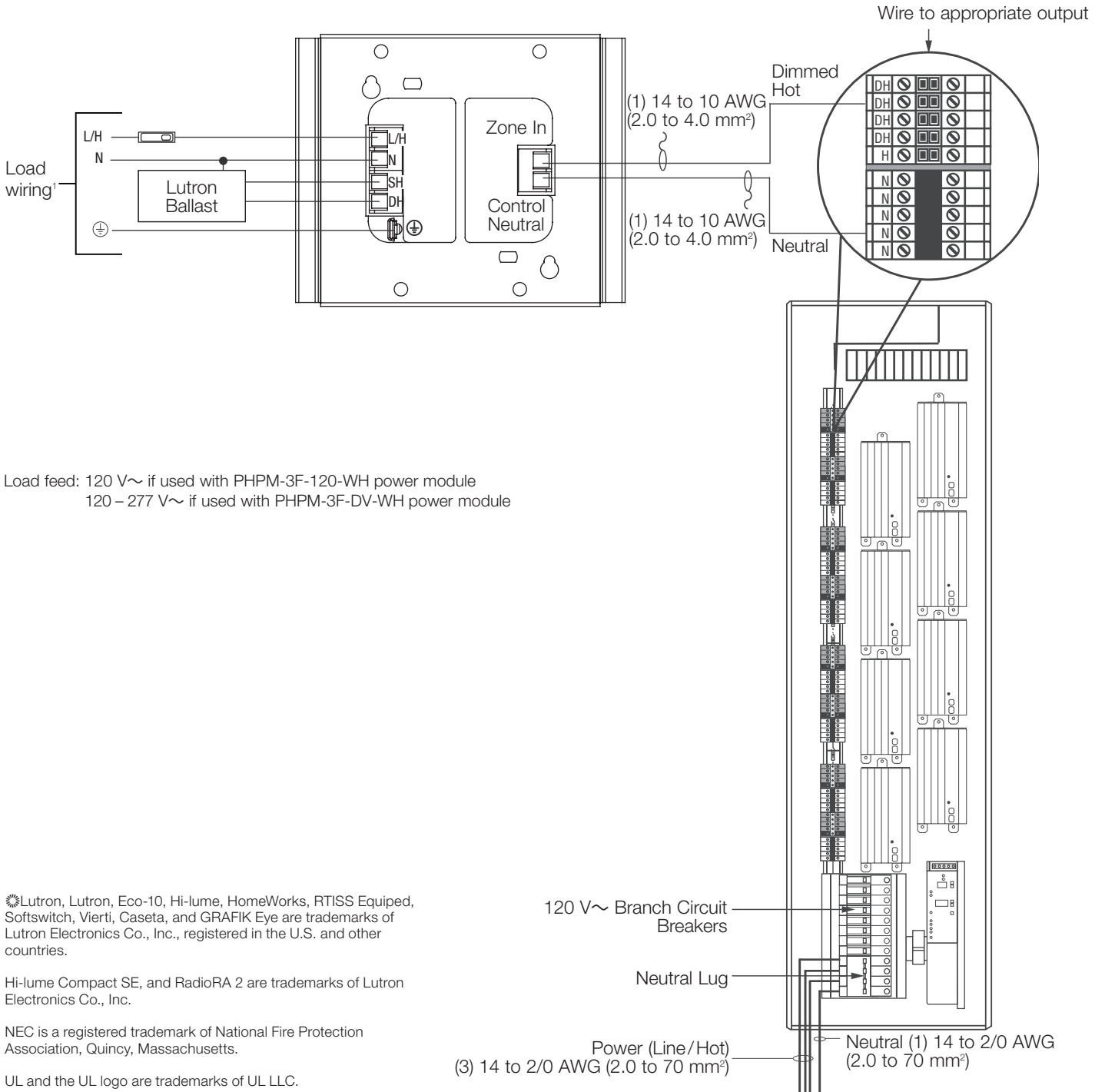
¹ Load feed: 120 V~ for PPHM-3F-120-WH; 120 – 277 V~ for PPHM-3F-DV-WH

Job Name:	Model Numbers:
Job Number:	

Wiring (continued)

Wiring a Power Module to an LP, LCP, GP, or HomeWorks Panel

Up to three 3-wire fluorescent power modules may be wired to an output of a 120 V~ LP or LCP panel. The load type for the output must be set as Eco-10 or Hi-lume fluorescent load type on the panel's circuit selector (for an LP or GP panel), controller (for an LCP panel), or HomeWorks software (for a HomeWorks panel).



¹ Load feed: 120 V~ if used with PHPM-3F-120-WH power module
120 – 277 V~ if used with PHPM-3F-DV-WH power module

Lutron, Lutron, Eco-10, Hi-lume, HomeWorks, RTISS Equiped, Softswitch, Vierti, Caseta, and GRAFIK Eye are trademarks of Lutron Electronics Co., Inc., registered in the U.S. and other countries.

Hi-lume Compact SE, and RadioRA 2 are trademarks of Lutron Electronics Co., Inc.

NEC is a registered trademark of National Fire Protection Association, Quincy, Massachusetts.

UL and the UL logo are trademarks of UL LLC.

Job Name:	Model Numbers:
Job Number:	