

## myRoom Power Supply and Accessories

The MQSPS-DH-1-30 myRoom power supply provides up to 30 Power Draw Units (PDUs) on a QS link. The MQSPS-DH-1-30 powers compatible myRoom accessories and devices.

### Model Numbers

- MQSPS-DH-1-30 (Power supply)
- PDW-PS-1 (Optional input wire harness; not available in all countries)
- MQSPS-BRK (Optional mounting bracket kit)

## Specifications

### Input Power

- Nominal input voltage: 120–240 V~
- Frequency: 50-60 Hz
- Current consumption, 0.3–0.8 A fully loaded  
Typical:  
0.3 A (240 V~)  
0.5 A (120 V~)
- Lightning strike protection meets ANSI/IEEE standard 62.41-1991. Can withstand voltage surges of up to 6000 V~ and current surges of up to 500 A.
- Lightning strike protection meets ANSI/IEEE standard 62.31-1980 when used in a Lutron low-voltage panel (LV16, LV21, PD4-36, PD8-64). Can withstand voltage surges of up to 6000 V~ and current surges of up to 3000 A.

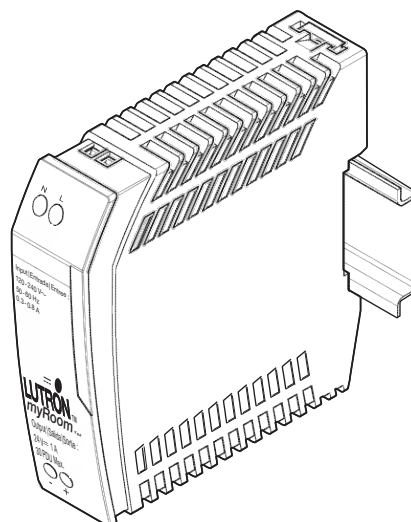
### Power Supply Output

- Nominal output voltage and tolerance:  
24 V<sub>DC</sub> / ±1%
  - 1 A SELV/PELV/NEC® Class 2
  - Power Draw Units (PDUs): Supplies 30 PDUs maximum\*
- \* Use above this maximum will reduce the lifetime of the supply and void all Lutron warranties. For more information about Power Draw Units (PDUs), please refer to [www.lutron.com/TechnicalDocumentLibrary/369405%20pdu%20spec%20submittal.pdf](http://www.lutron.com/TechnicalDocumentLibrary/369405%20pdu%20spec%20submittal.pdf)

**Note:** This power supply is NOT rated for use with motorized shades/window treatments.

### Environment

- Ambient operating temperature : 32 °F to 122 °F (0 °C to 50 °C).
- Ambient operating humidity: 0% to 90% humidity, non-condensing. Indoor use only.
- Unit generates heat, maximum 12 BTU/hr.
- 70 °C maximum calibration point temperature. For more information, see [www.lutron.com/TechnicalDocumentLibrary/048466.pdf](http://www.lutron.com/TechnicalDocumentLibrary/048466.pdf)



MQSPS-DH-1-30

### Mounting

- Mount using 1.38 in (35 mm) DIN rail in accordance with EN 60715
- Can be mounted in LV16, LV21, PD4-36, PD8-64, or PD9-64 panels. Optional wire harness PDW-PS-1 sold separately. MQSPS-BRK not required.
- Can be mounted in a LV14 or PD4-16-F panel with mounting bracket MQSPS-BRK (sold separately).
- Can be mounted in a LUT-8X8-ENC. MQSPS-BRK not required.
- MQSPS-BRK mounting bracket is required for installations where the enclosure is between 2.375 in (60 mm) and 4 in (100 mm) deep.

### Dimensions

- 3.54 in (90 mm) × 0.89 in (22.5 mm) × 3.54 in (90 mm)

### Regulatory Approvals

- cUL®
- CE compliant
- RoHS compliant
- NOM compliant

### Efficiency

- Meets the U.S. Department of Energy level VI efficiency standard

### Warranty

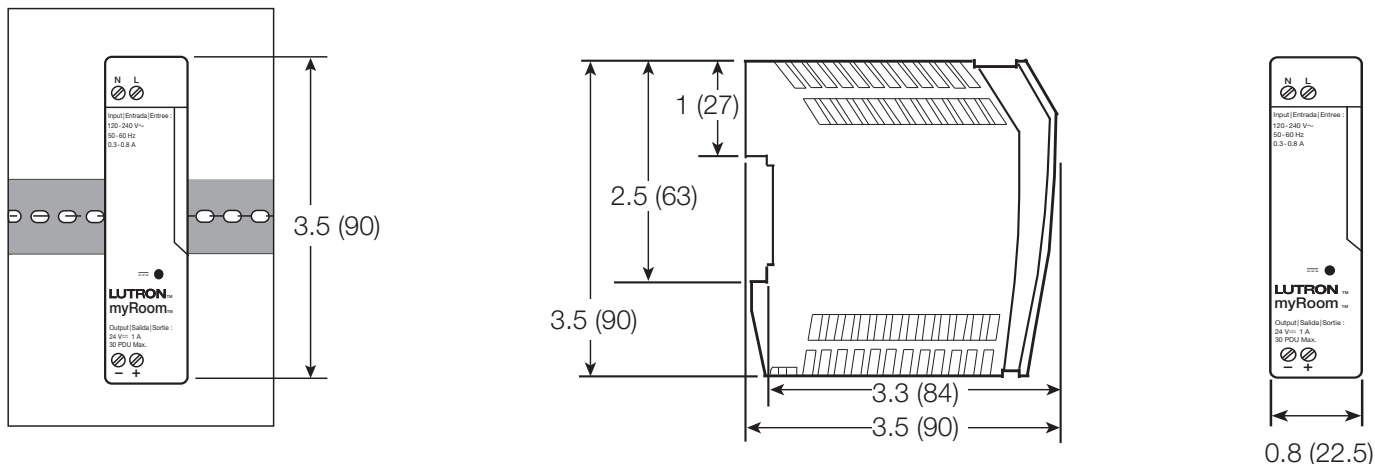
- [www.lutron.com/TechnicalDocumentLibrary/3601201A\\_Commercial\\_Limited\\_Warranty.pdf](http://www.lutron.com/TechnicalDocumentLibrary/3601201A_Commercial_Limited_Warranty.pdf)

<p><b>Job Name:</b></p> <p><b>Job Number:</b></p>	<p><b>Model Numbers:</b></p>
--	------------------------------

# Dimensions

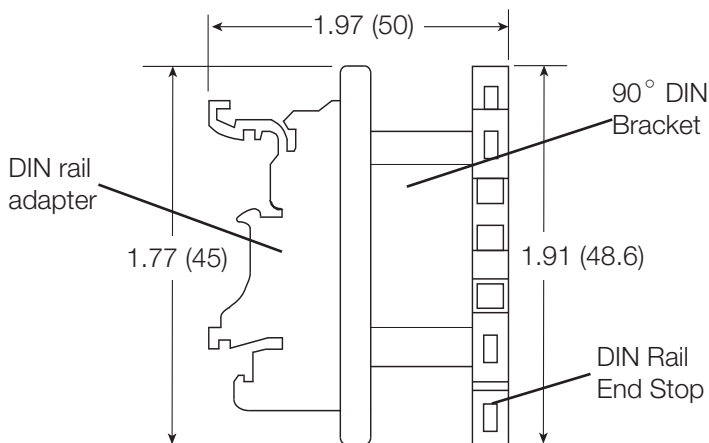
Dimensions shown as: in (mm)

## MQSPS-DH-1-30

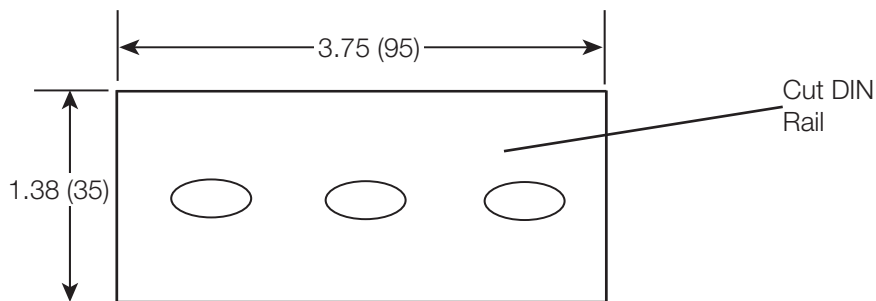
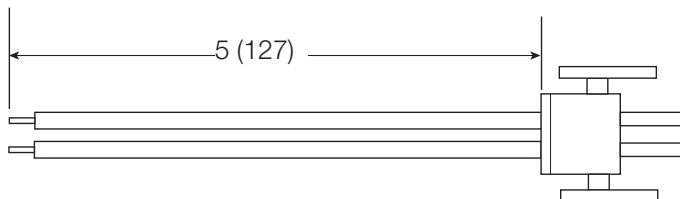


\* Required clearance above and below the power supply.

## MQSPS-BRK



## PDW-PS-1



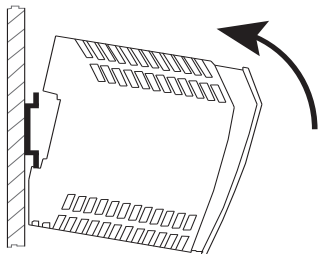
**LUTRON SPECIFICATION SUBMITTAL**

Job Name:	Model Numbers:
Job Number:	

### Mounting

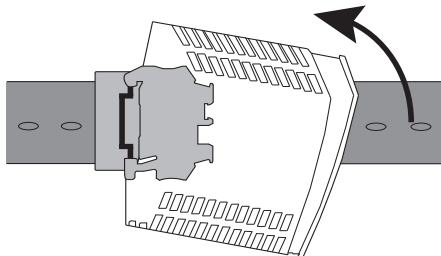
- Mount on DIN rail
- Use an IP20 (minimum) rated consumer panel or breaker panel with integrated DIN rail

#### Standard DIN Rail Mounting: Side View

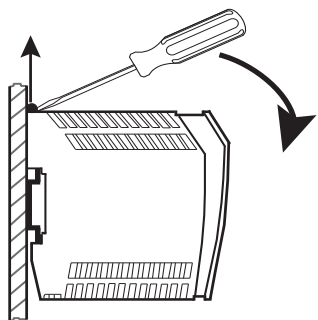


To install, snap onto DIN rail.

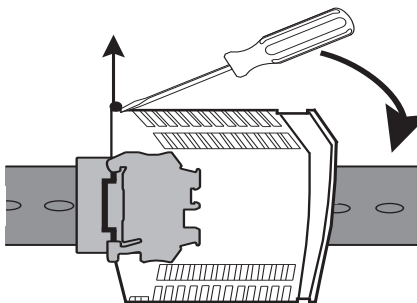
#### Right Angle Mounting: Front View



To install, snap the mounting bracket MQSPS-BRK to the DIN rail. Then snap the power supply onto the mounting bracket.



To remove, pull out the tab with a screwdriver and lift off.



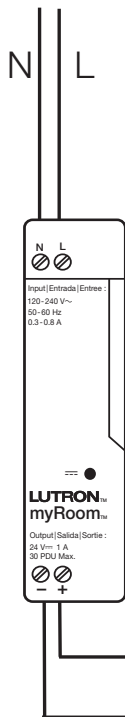
To remove, pull out the tab with a screwdriver and lift off.

Job Name:	Model Numbers:
Job Number:	

## Wiring

- Wire in accordance with national and local electrical codes
- Each terminal accepts one 24 AWG to 12 AWG wire (0.2 mm<sup>2</sup> to 2.5 mm<sup>2</sup>) wire, with 5/16 in (8 mm) stripped bare
- Torque Rating: 3.0 in•lb (0.3 N•m)

Line/Hot (L) and Neutral (N)  
from distribution panel



+ 24 V=== to terminal 2 of devices on the QS link. Do not connect to terminal 2 of other power sources on the QS link

- Common to terminal 1 of all devices on the QS link, including other power sources

QS Link Wiring Length	Wire Gauge	Lutron Cable Part Number
Less than 500 ft (153 m)	Power (terminals 1 and 2) 1 pair 18 AWG (1.0 mm <sup>2</sup> )	GRX-CBL-346S (non-plenum) GRX-PCBL-346S (plenum)
	Data (terminals 3 and 4) 1 twisted, shielded pair 22 AWG (0.5 mm <sup>2</sup> )	
Up to 2000 ft (610 m)	Power (terminals 1 and 2) 1 pair 12 AWG (4.0 mm <sup>2</sup> )	GRX-CBL-46L (non-plenum) GRX-PCBL-46L (plenum)
	Data (terminals 3 and 4) 1 twisted, shielded pair 22 AWG (0.5 mm <sup>2</sup> )	

☼ Lutron, Lutron, and myRoom are trademarks or registered trademarks of Lutron Electronics Co., Inc. in the US and/or other countries.

### ☼ LUTRON SPECIFICATION SUBMITTAL

Page

<b>Job Name:</b>	<b>Model Numbers:</b>
<b>Job Number:</b>	