

Sunnata LED+ Dimmer: **STCL-153P**

Note: STCL-153P is pending obsolescence. The new model number is STCL-153M.

Touch dimmer with advanced technology for dimming LED, CFL, Incandescent, and Halogen bulbs.

Features

- Touch dimmer with on/off paddle switch that fits in a standard designer wallplate opening.
- Advanced dimming technology designed for compatibility with a broad range of high efficacy bulbs.
- UL® Listed to control:
 - Dimmable LED with integrated driver
 - Halogen
 - Incandescent
 - Dimmable Compact Fluorescent Lamps (CFLs) with integrated ballast
- Low-end and high-end adjustments to accommodate a wide range of bulbs.
- No neutral required for wiring into any home.
- Can be used in single-pole or 3-way mechanical switch¹ applications.
- Coordinating Claro and Stainless Steel wallplates available separately.
- 100% factory tested.
- NEMA SSL-7A Compliant.

Product Specific Features

- Capable of controlling up to 150 W Dimmable LED/CFL or 600 W Incandescent/Halogen or mixed bulb type per **Multigang and Mixed Bulb Type Ratings** table (see page 3).



Wallplate sold separately

Model Number

STCL-153P-XX^{2,3} Single-pole/3-way¹

STCL-153P-XX-C^{2,3,4} Single-pole/3-way¹

Please note, STCL-153P is pending obsolescence. STCL-153M is the replacement model number and meets all of the specifications of STCL-153P. See the STCL-153M Specification Submittal (P/N 3691167) at www.lutron.com/SunnataSupport

Notes:

- ¹ An additional wiring step is required for 3-way mechanical switch applications. Not for use in 4-way mechanical switch applications. Not compatible with Lutron Maestro accessory dimmers.
- ² "XX" Color codes, see section "Colors and Finishes" on the next page.
- ³ For clamshell packaging add "H" after "153P".
- ⁴ For clamshell packaged product for Canada add "C" after the color code.

| | |
|--------------------|-----------------------|
| Job Name: | Model Numbers: |
| Job Number: | |

Specifications: **STCL-153P**

Regulatory Approvals

- UL® Listed to U.S. and Canadian safety requirements (UL 1472/CSA C22.2 184.1)
- NOM
- FCC/IC

Power and Ratings

- 120 V~ 60 Hz
- Maximum Load
 - 150 W Dimmable LED/CFL
 - or**
 - 600 W Incandescent/Halogen
 - or**
 - Mixed bulb type per **Multigang and Mixed Bulb Type Ratings** table (see page 3)
- Minimum Load
 - Visit the online tool at lutron.com/LEDfinder for LED/CFL
 - or**
 - 25 W Incandescent/Halogen

Environment

- For indoor use only
- Operating temperatures 32 °F (0 °C) to 104 °F (40 °C)

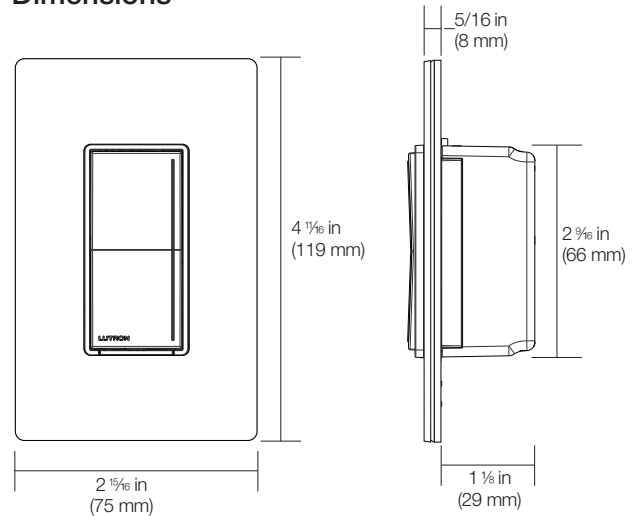
Performance

- Power-failure memory
- Touch dimmer to go to any light level
- Electrostatic discharge tested
- Precise color matching
- Includes a Front Accessible Service Switch (FASS) for safe bulb replacement

Application Requirements

- **When using LEDs or CFLs, only bulbs marked or rated as Dimmable can be used.**
- To access our mobile friendly online tool of DIMMABLE LEDs and CFLs visit www.lutron.com/LEDfinder

Dimensions



Note: Requires a U.S. wallbox 2 1/4 in (57 mm) deep minimum.

Warranty

- 1 Year Limited Warranty. For additional Warranty information, please visit www.lutron.com/TechnicalDocumentLibrary/369-119_Wallbox_Warranty.pdf



Colors and Finishes

Gloss Finishes

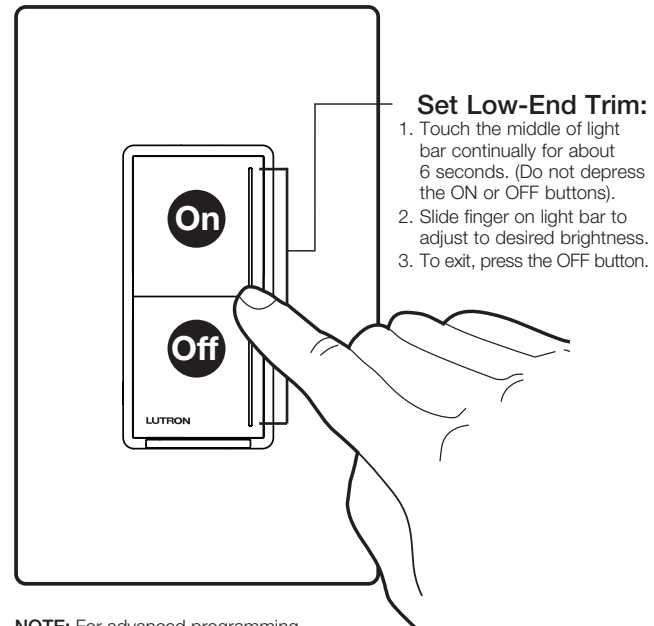
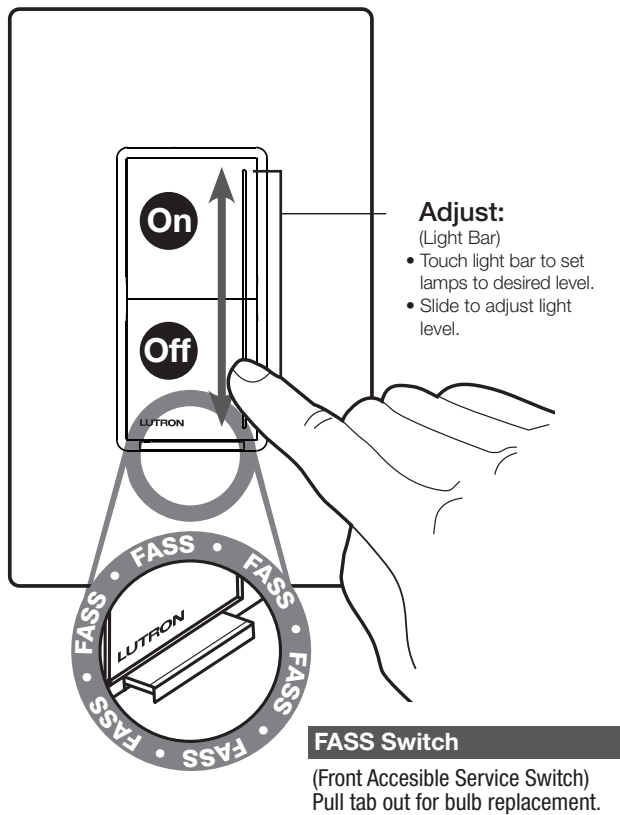
| | |
|----|--------------|
| WH | White |
| IV | Ivory |
| LA | Light Almond |
| BL | Black |

| | |
|--------------------|-----------------------|
| Job Name: | Model Numbers: |
| Job Number: | |

Multigang and Mixed-Bulb-Type Ratings: **STCL-153P**

| Total LED•CFL Wattage Installed (Watts per bulb X # of bulbs) |  LED  CFL | Maximum Allowable Incandescent/Halogen Wattage | | |
|---|--|---|----------------|-------------|
| | | Single Gang | Middle of Gang | End of Gang |
| 0 W | + | 600 W | 500 W | 400 W |
| 1 W – 25 W | + | 500 W | 400 W | 300 W |
| 26 W – 50 W | + | 400 W | 300 W | 200 W |
| 51 W – 75 W | + | 300 W | 200 W | 100 W |
| 76 W – 100 W | + | 200 W | 100 W | 50 W |
| 101 W – 125 W | + | 100 W | 50 W | 0 W |
| 126 W – 150 W | + | 0 W | 0 W | 0 W |

Operation: **STCL-153P**



NOTE: For advanced programming options see the **Sunnata Advanced Programming Mode**, Application Note (P/N 048734), at www.lutron.com/SunnataAFM

For videos and step by step instructions, please see www.lutron.com/wiringwizard

| | |
|-------------|----------------|
| Job Name: | Model Numbers: |
| Job Number: | |

MyLevel Personalization Advanced Features

Sunnata dimmers contain advanced features that allow users to customize the control to meet their specific needs. Before entering MyLevel, it is important to have a good understanding of the advanced features.

Explanation of Advanced Features

- **High-End Trim:** Adjust the maximum light level of the load.
- **Low-End Trim:** Adjust the minimum light level of the load.
- **Idle/Locator Light:** Select between ON and OFF for the Light Bar when not interacting with the control.
- **Light Bar Brightness:** Select between high, medium, and low brightness of the control's light bar.
- **Preset Light Level:** Change the behavior of the device when the ON button is pressed from the OFF state to ON.
- **Restore Factory Default Settings:** Return the control to its original settings.

Default Settings

| Feature | Default |
|----------------------|---|
| High-end Trim | ~114 V~ |
| Low-end Trim | ~22 V |
| Idle/Nightlight | ON/ON |
| Light Bar Brightness | Medium brightness |
| Preset Light Level | Pressing the ON button always sets the lights to full (locked preset at high-end) |

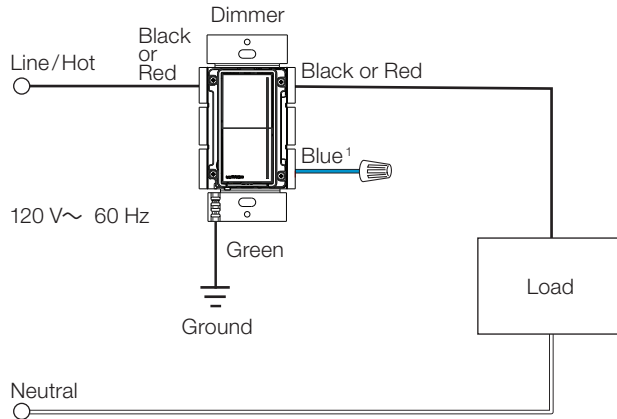
Please refer to the **Sunnata Dimmer MyLevel Personalization Application Note** (P/N 048734) at www.lutron.com/SunnataMyLevel for more information.

| | |
|-------------|----------------|
| Job Name: | Model Numbers: |
| Job Number: | |

Wiring Diagrams: **STCL-153P only**

Please note: **STCL-153M** has additional wiring configurations for 3-way and multi-location. See the **STCL-153M Specification Submittal P/N 3691167** at www.lutron.com/SunnataSupport

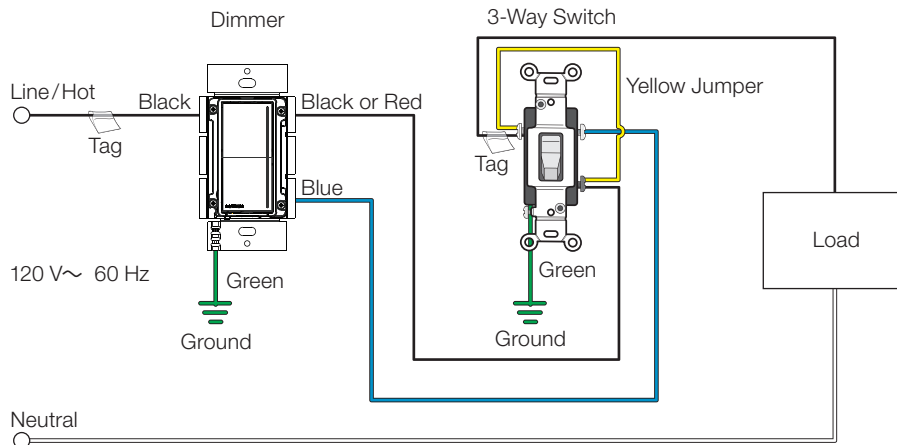
Single Pole Wiring



¹ When using controls in single location installations, cap the blue terminal with a wirenut. Do not connect the blue wire to any other wiring or to ground.

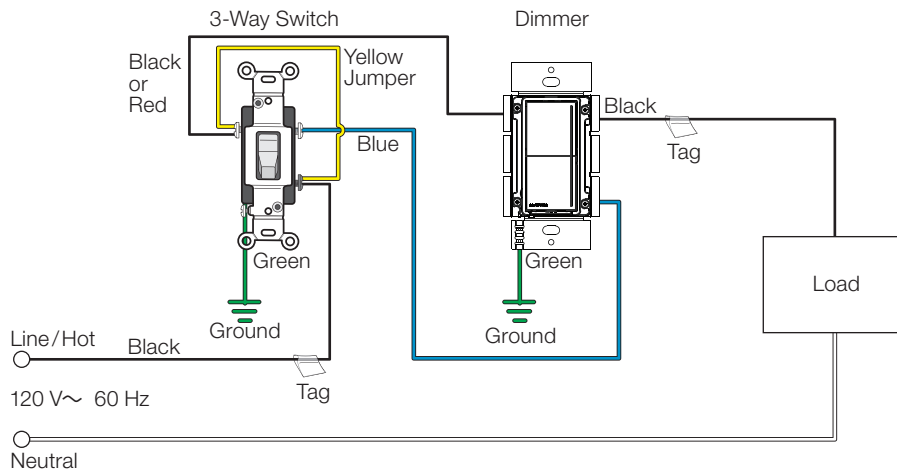
3-Way Wiring (Using 3-Way Mechanical Switch)

Dimmer Line Side



Note: Dimmer can be installed on the line side or load side of the circuit. Not compatible with Lutron accessory switches or dimmers.

Dimmer Load Side



The Lutron logo, Lutron, FASS, LED+, and Sunnata are trademarks or registered trademarks of Lutron Electronics Co., Inc. in the US and/or other countries. All other product names, logos, and brands are property of their respective owners.

| | |
|--------------------|-----------------------|
| Job Name: | Model Numbers: |
| Job Number: | |