

EcoSystem® Programmer

The *EcoSystem* Programmer allows for the customization of an intelligent *EcoSystem* lighting control system when used with Lutron's *EcoSystem* Programmer Application for Microsoft® Windows® computers. Capable of adjusting *EcoSystem* to the needs of any space, the Programmer allows users to define light levels, adjust sensor and control preferences, set groups, and adjust multiple settings on every ballast. The Programmer allows repurposing of any space through programmed groups that do not require costly rewiring of a space.

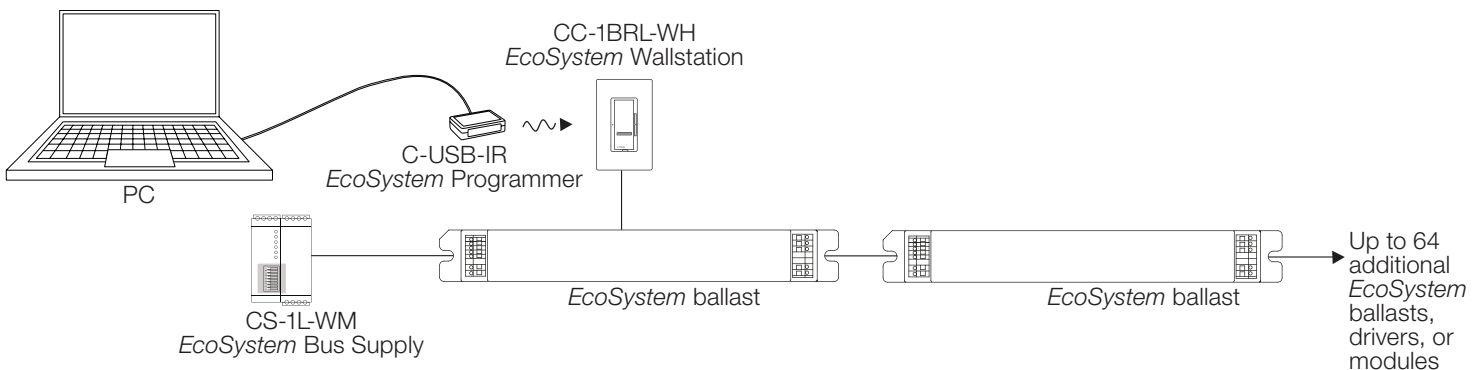
Features

- Wireless infrared communication with *EcoSystem* lighting control system
- Handles programming changes for all sensors, wall controls, and ballasts
- Simple user interface allows programming without training or guidebook
- Password protected for system integrity

Specifications

- 5 V \equiv 500 mA
- Infrared transmitter connects to user-supplied laptop/PC via USB port
- Transmits infrared signal a minimum of 8 ft (2.4 m)
- Application runs on Microsoft® Windows® XP, Windows Vista®, and Windows® 7
- Does not work with GRAFIK Eye® QS with *EcoSystem* control units, *EcoSystem* Energi Savr Node™ control units, or with any *EcoSystem* ballasts or devices that are controlled by a Quantum® lighting system

Example System Diagram



Functionality

Lighting Control

- Personal control of the light level of individual fixtures or groups of fixtures

Device Setup

- **Daylight Sensor:** Set up the amount of electric light versus daylight that will illuminate a room
- **Occupant Sensor:** Set up the time-out period, occupied light level, and unoccupied light level
- **Wall Control:** Set up the scene levels for each button of the wallstations

Grouping

- Set up IR/wall control, daylight, and occupancy sensor fixture groups so that sensors can affect multiple ballasts

Ballasts

- **Configuration:** Set maximum level, fade time, burn-in, or emergency level for each ballast or all ballasts on the system
- **Replacement:** Replace ballasts without any reprogramming; install a new ballast and the programming from the old ballast will be transferred to the new one
- **Addressing:** Begin the automatic addressing of individual or multiple ballasts

Job Name:

Model Numbers:

Job Number: