

HomeWorks® QS Wired Signature Series™ Keypads

HomeWorks® QS Wired Signature Series™ keypads provide homeowners with a simple and elegant way to operate lights, shades/draperies, motorized screens, thermostats, and many other devices.

HomeWorks® QS Wired Signature Series™ keypads feature large, easy-to-use buttons, plus a unique backlit engraving option that makes the keypads readable any time of the day or night. Wired Signature Series™ buttons are rounded, allowing engraving to be displayed at an upward angle, increasing readability.

Replacement Kits are available in a variety of colors and with custom engraving to clearly identify each button's function. The flexible design of the keypads allows the color, number of buttons, and button configuration to be changed by installing a new engraved Replacement Kit.

All HomeWorks® QS Wired Signature Series™ models have two contact closure inputs on the back of the unit which provide independent functions from the front buttons. Other options include raise/lower buttons.



HomeWorks® QS Wired Signature Series™ architectural keypads are available in many button configurations, shown on the following page.

HomeWorks® QS Wired Signature Series™ Keypads

Model Numbers

Base Units

HQWAS-G	Keypad with Green LED status and backlighting without Faceplate or Button Kit
HQWAS-B	Keypad with Blue LED status and backlighting without Faceplate or Button Kit

Button/Faceplate Kits

LFS-W1B-XX*	1 Button
LFS-W2BS-XX*	2 Button
LFS-W3BS-XX*	3 Button
LFS-W3BSRL-XX*	3 Button, Raise/Lower
LFS-W4BS-XX*	4 Button
LFS-W4S-XX*	4 Scene, Raise/Lower
LFS-W5B-XX*	5 Button
LFS-W5BRL-XX*	5 Button, Raise/Lower
LFS-W6B-XX*	6 Button
LFS-W6BRL-XX*	6 Button, Raise/Lower
LFS-W7B-XX*	7 Button
LFS-W1RLD-XX*	Dual Group, Raise/Lower (1)
LFS-W2RLD-XX*	Dual Group, Raise/Lower (2)
LFS-W3BD-XX*	Dual Group

Note: Contact Lutron Customer Service for Multigang Installations: 1.888.LUTRON1

Engraveable Replacement Button Kits

RKS-W1B-XX*-E	1 Button
RKS-W2BS-XX*-E	2 Button
RKS-W3BS-XX*-E	3 Button
RKS-W3BSRL-XX*-E	3 Button, Raise/Lower
RKS-W4BS-XX*-E	4 Button
RKS-W4S-XX*-E	4 Scene, Raise/Lower
RKS-W5B-XX*-E	5 Button
RKS-W5BRL-XX*-E	5 Button, Raise/Lower
RKS-W6B-XX*-E	6 Button
RKS-W6BRL-XX*-E	6 Button, Raise/Lower
RKS-W7B-XX*-E	7 Button
RKS-W1RLD-XX*-E	Dual Group, Raise/Lower (1)
RKS-W2RLD-XX*-E	Dual Group, Raise/Lower (2)
RKS-W3BD-XX*-E	Dual Group

* "XX" in the model number represents color/finish code. See **Colors and finishes** at end of document.



HomeWorks® QS Wired Signature Series™ Keypads

Specifications

Model Numbers	See page 2 for a complete list of model numbers.
Power	24–36 V $\overline{=}$ 30 mA SELV/PELV/NEC® Class 2
Typical Power Consumption	0.6 W; 1 Power Draw Unit (PDU) Test conditions: all backlights on medium intensity, two LEDs on (two presets active), keypad powered at 24 V $\overline{=}$
Environment	Ambient operating temperature: 32 °F to 104 °F (0 °C to 40 °C), 0% to 90% humidity, non-condensing. Indoor use only.
Communications	Connects to QS wired device link on HomeWorks® QS processor.
ESD Protection	Tested to withstand electrostatic discharge without damage or memory loss, in accordance with IEC 61000-4-2.
Surge Protection	Tested to withstand surge voltages without damage or loss of operation, in accordance with IEEE C62.41-1991 Recommended Practice on Surge Voltages in Low-Voltage AC Power Circuits.
Power Failure	Power failure memory: should power be interrupted, the keypad will return to its previous state when power is restored.
Mounting	Signature Series™ Wallbox P/N WBOX-SA1-Q1 (sold separately) 4.45 in (113.03 mm) tall by 1.55 in (39.37 mm) wide by 2.8 in (71.12 mm) deep.
Wiring	Control wire must be 1 pair 18 AWG (1.0 mm ²) SELV/PELV/NEC® Class 2 for power and 1 pair 22 to 18 AWG (0.5 to 1.0 mm ²) SELV/PELV/NEC® Class 2 twisted/shielded for data (see Wiring).
Warranty	www.lutron.com/TechnicalDocumentLibrary/Warranty.pdf

Design Features

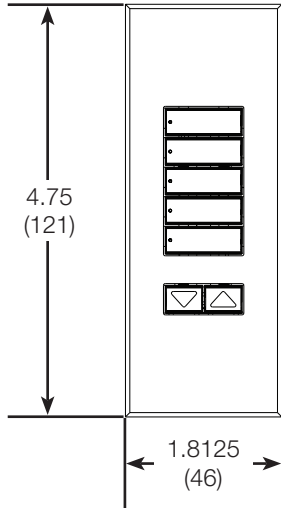
- Green or Blue status LEDs available.
- Backlit button/engraving.
- All terminal block inputs are over-voltage and miswire-protected against wire reversals and shorts.
- Field-changeable Replacement Kits make for easy customization.
- Use Replacement Kits to change color, button configuration, or engraving.

HomeWorks[®] QS Wired Signature Series[™] Keypads

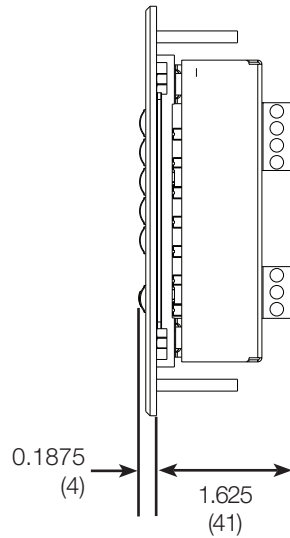
Dimensions

All dimensions are shown as ⁱⁿ
(mm)

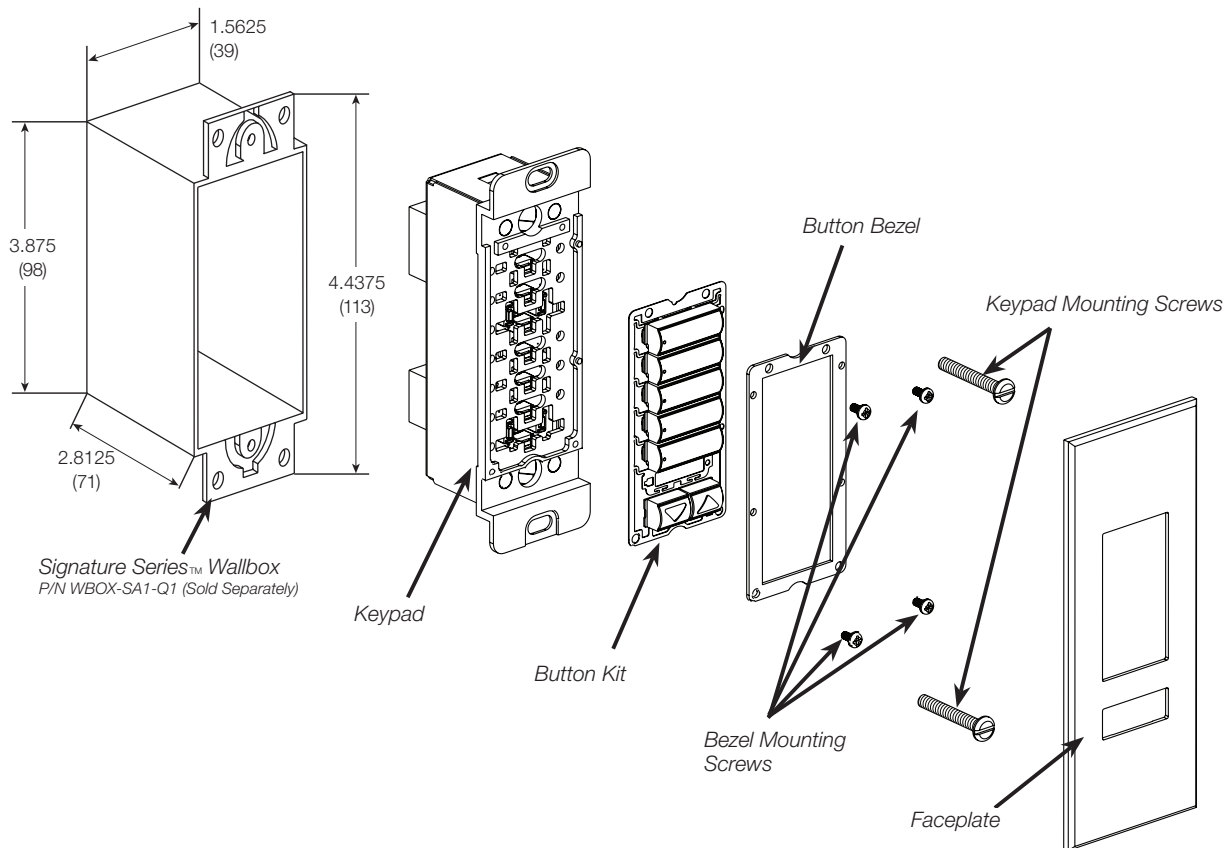
Front View



Side View

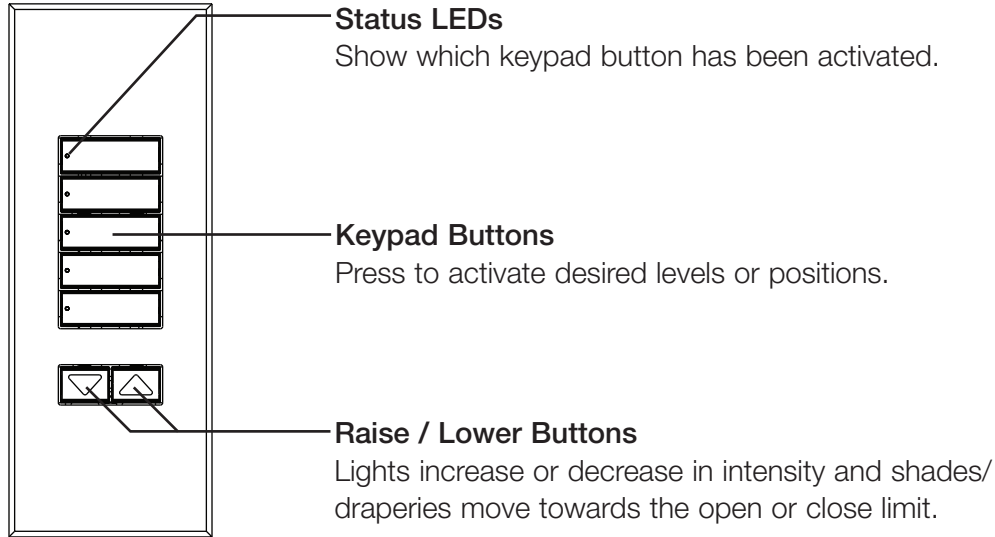


Mounting and Parts Identification



HomeWorks[®] QS Wired Signature Series[™] Keypads

Operation



HomeWorks[®] QS Wired Signature Series™ Keypads

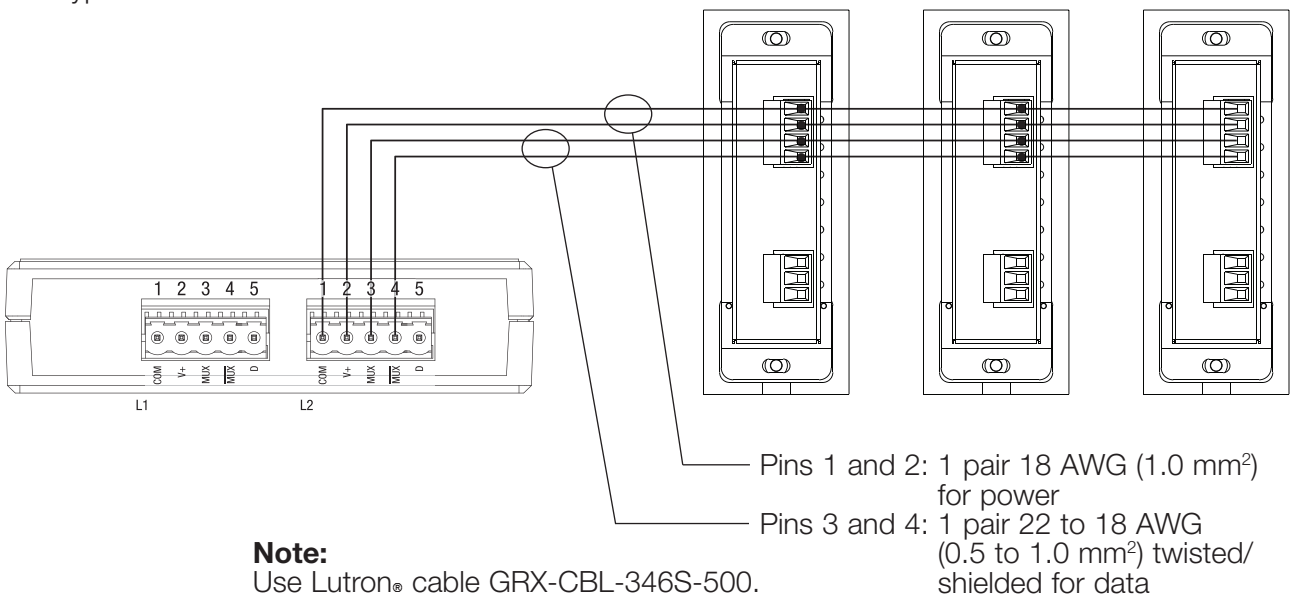
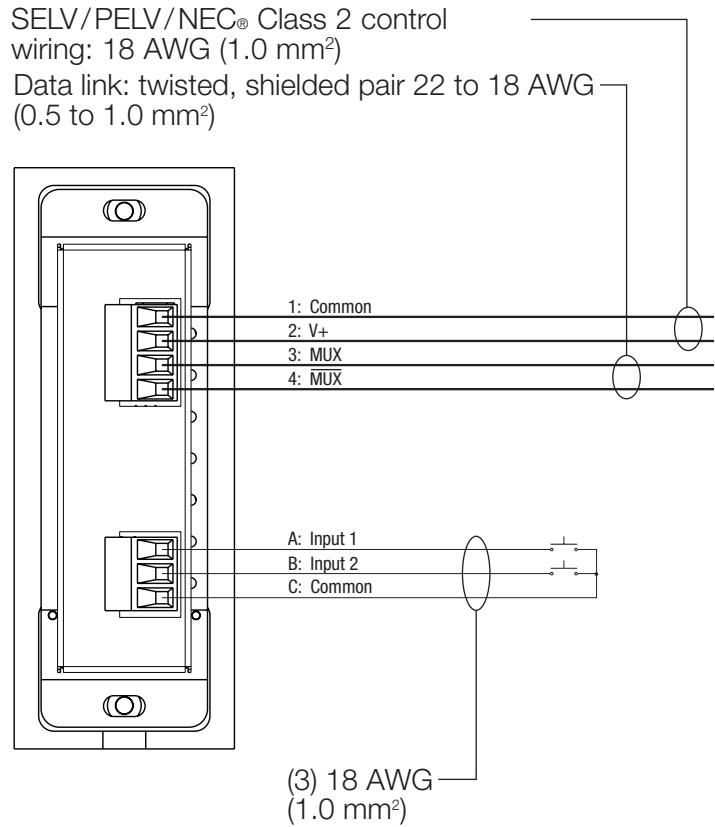
Wiring

Wiring Notes

- Keypad wiring may be in a daisy-chain, star or T-tap configuration.
- The total length of wire on a HomeWorks[®] QS wired link is not to exceed 2000 ft (610 m).
- Up to 100 devices can be connected to the HomeWorks[®] QS wired link. This can include seeTouch[®] keypads along with other devices as defined in the HomeWorks[®] QS software.
- An external power supply may be required depending on the total current draw of all wired devices on the processor link.

Contact Closure Input

- Inputs must be dry contact closure, solid-state, open collector, or active-low (NPN) / active-high (PNP) output.
 - Open collector NPN or active-low on-state voltage must be less than 2 V_{DC} and sink 3.0 mA
 - Open collector PNP or active-high on-state voltage must be greater than 12 V_{DC} and source 3.0 mA
- Keypad is miswire protected up to 36 V_{DC}.
- Outputs must stay in the closed or open states for at least 40 msec in order to be recognized by the keypad.



HomeWorks® QS Wired Signature Series™ Keypads

Colors and Finishes

Architectural Matte Finishes (Metal)



White
WH

Architectural Metal Finishes (faceplates only)



Satin Brass
SB



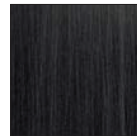
Bright Brass
BB



Bright Chrome
BC



Clear Anodized
Aluminum
CLA



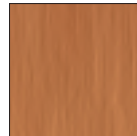
Black Anodized
Aluminum
BLA



Brass Anodized
Aluminum
BRA



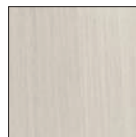
Antique Brass
QB



Antique Bronze
QZ



Satin Chrome
SC



Satin Nickel
SN



Bright Nickel
BN



Gold
AU

- Due to printing limitations, colors and finishes shown cannot be guaranteed to perfectly match actual product colors.
- Color chip keychains are available for more precise color matching:
Architectural Matte Finishes - AM-CK-1
Architectural Metal Finishes - AMTL-CK-1