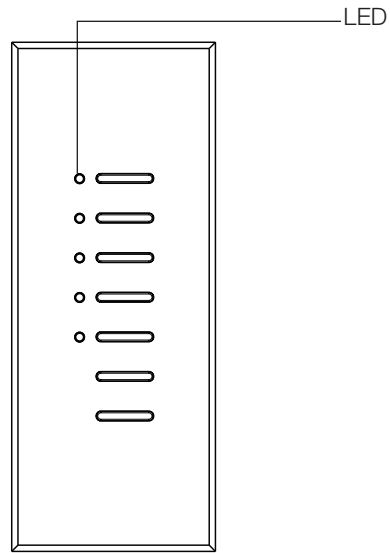


Color/Finish

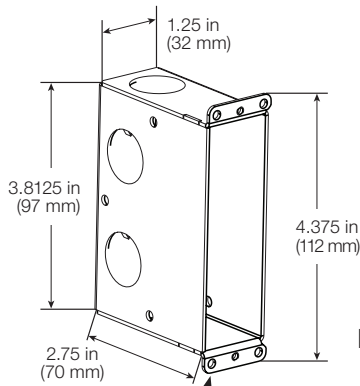
QSWA-KP5-DW-____
5 Button Wallstation with
Raise/Lower

Description

- Used to control one or more lighting or shades/draperies groups simultaneously.
- Receives up to two contact closure inputs via a connector on the back of the Wallstation.
- The LEDs next to each button are used during programming and provide feedback when the buttons are pressed.
- Only available with green LEDs.



QSWA-KP5-DW-WH



Architrave™ Wallbox
 P/N 241399
 (Sold separately)

Note: Wallbox may not be required for all installations. Consult local electrical codes for Class 2 devices.

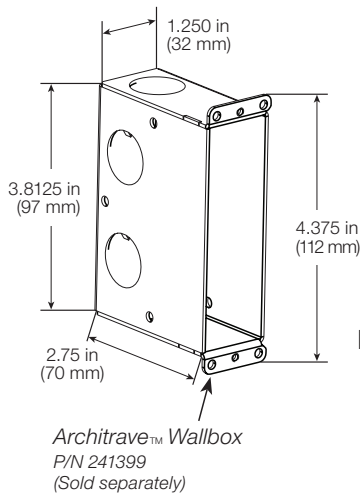
<p>Job Name:</p>	<p>Model Numbers:</p>
<p>Job Number:</p>	

Color/Finish

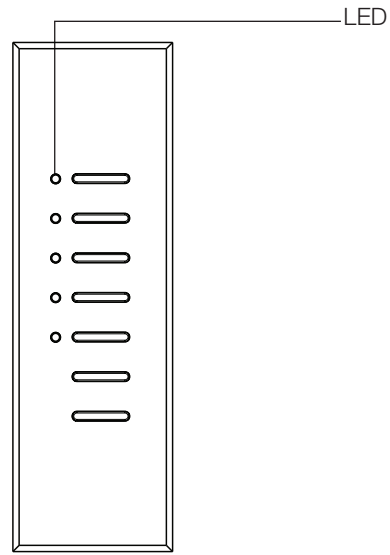
QSWA-KP5-DN-____
5 Button Wallstation with
Raise/Lower

Description

- Used to control one or more lighting or shades/draperies groups simultaneously.
- Receives up to two contact closure inputs via a connector on the back of the Wallstation.
- The LEDs next to each button are used during programming and provide feedback when the buttons are pressed.
- Only available with green LEDs.



Note: Wallbox may not be required for all installations. Consult local electrical codes for Class 2 devices.



QSWA-KP5-DN-WH

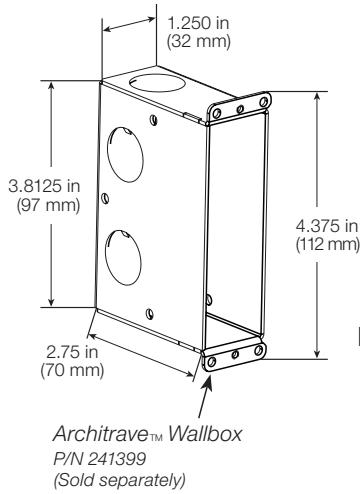
Job Name:	Model Numbers:
Job Number:	

Color/Finish

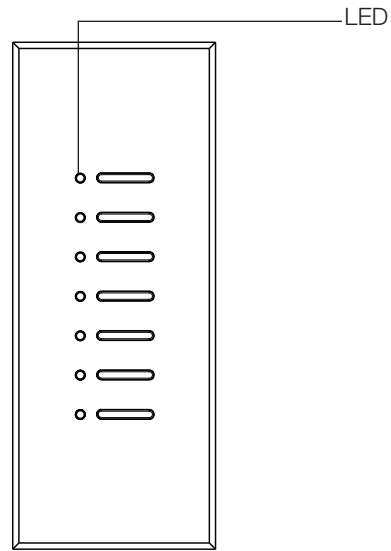
QSWA-KP7-DW-____
7 Button Wallstation

Description

- Used to control one or more lighting or shades/draperies groups simultaneously.
- Receives up to two contact closure inputs via a connector on the back of the Wallstation.
- The LEDs next to each button are used during programming and provide feedback when the buttons are pressed.
- Only available with green LEDs.



Note: Wallbox may not be required for all installations. Consult local electrical codes for Class 2 devices.



QSWA-KP7-DW-WH

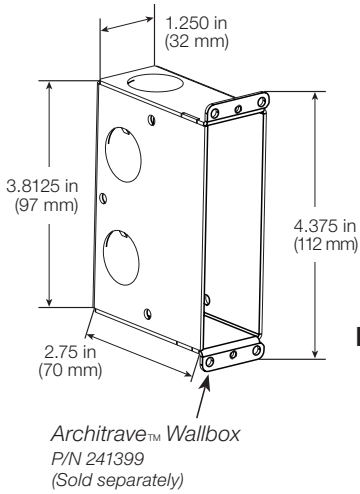
<p>Job Name:</p>	<p>Model Numbers:</p>
<p>Job Number:</p>	

Color/Finish

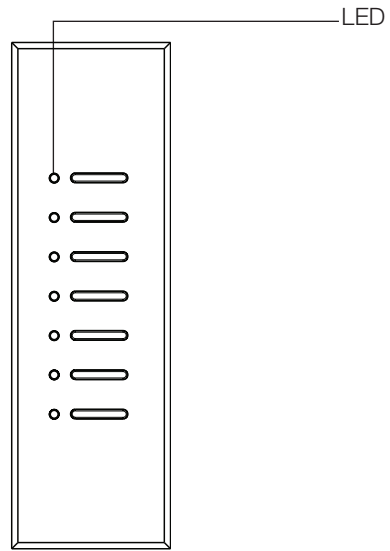
QSWA-KP7-DN-____
7 Button Wallstation

Description

- Used to control one or more lighting or shades/draperies groups simultaneously.
- Receives up to two contact closure inputs via a connector on the back of the Wallstation.
- The LEDs next to each button are used during programming and provide feedback when the buttons are pressed.
- Only available with green LEDs.



Note: Wallbox may not be required for all installations. Consult local electrical codes for Class 2 devices.



QSWA-KP7-DN-WH

<p>Job Name:</p>	<p>Model Numbers:</p>
<p>Job Number:</p>	

Specifications for QSWA Architrave™ Keypads

Power Input (Control Link Terminal 2)

SELV/PELV/NEC® Class 2. Operating voltage: 24–36 V_{DC} 30 mA

Key Design Features

- Meets IEC 801-2. Tested to withstand 15 kV electrostatic discharge without damage or memory loss.
- Faceplate snaps on with no visible means of attachment.
- Use Faceplate Replacement Kits to change faceplate color.

System Communications and Capacity

- SELV/PELV/NEC® Class 2 wiring connects Wallstations to other devices on the QS Link.
- A QS system can have up to 100 devices and 100 zones; Architrave™ QS wallstations each count as 1 device and 0 zones on the QS Link.
- An Architrave™ QS wallstation consumes 1 power draw unit (PDU) on the QS link. For complete information, see “Power Draw Units on the QS Link,” Lutron® PN 369405.

Terminals

Accept up to two 18 AWG (1.0 mm²).

Environment

32 °F to 104 °F (0 °C to 40 °C). Relative humidity less than 90% non-condensing.

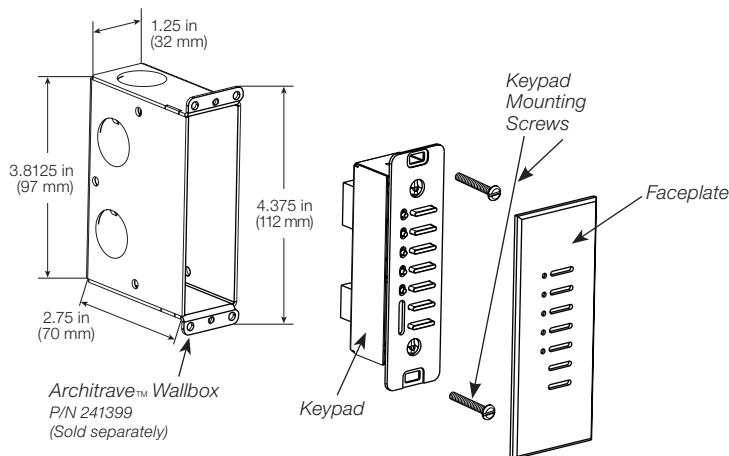
Compatibility

Architrave™ QS keypads are compatible with GRAFIK Eye® QS control units, Sivoia® QS Shades/Draperies, Energi Savr Node™ units, and Quantum® system devices.

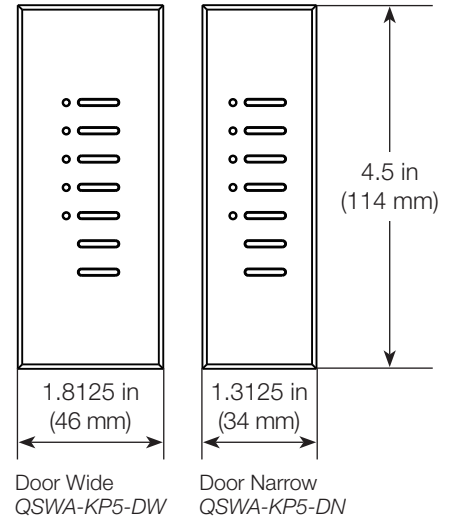
Mounting

Backbox dimensions:

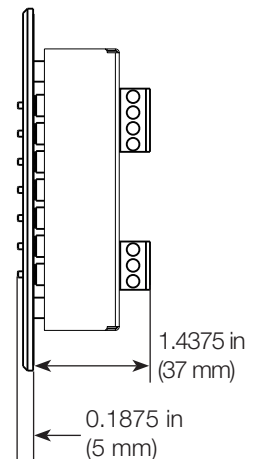
4.375 in (112 mm) high, 1.25 in (32 mm) wide, 2.75 in (70 mm) deep.



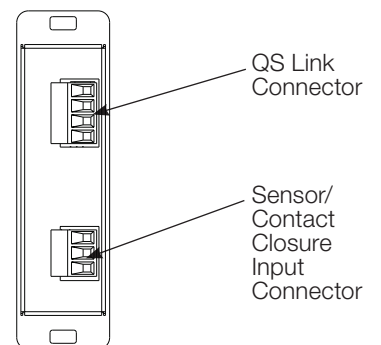
Dimensions Front View



Side View



Back View

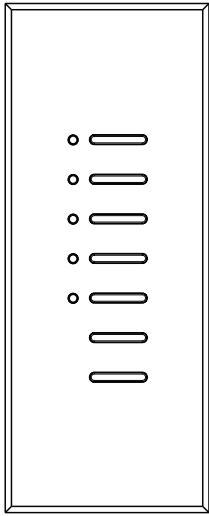


Job Name:	Model Numbers:
Job Number:	

Available Control Types

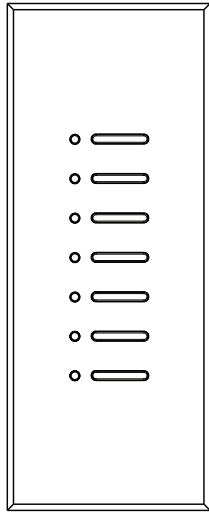
Architrave™ QS wallstations are available as Lights Only:

Lights Only



QSWA-KP5-DW-WH

Lights Only



QSWA-KP7-DW-WH

Lights Only

- Controls only lights.
- Has a programmable column type (choose from the list on the following pages).
- KP5 models default to 5 scenes with Raise/Lower.
- KP7 models default to 7 scenes.

Note:

- Column types can be changed using the GRAFIK Eye® QS control unit programming menu and the ESN HHD application (e.g., control that is programmed as "Lights Only" can be changed to "Shades/Draperies Only").

Job Name:	Model Numbers:
Job Number:	

Available Column Types

Scene (with Off)

- Controls preprogrammed scenes on one or more scene controllers (such as a GRAFIK Eye® QS control unit, or an area on an Energi Savr Node™ unit).
- Buttons within a column control the same scene controller(s) (different buttons within a column cannot control different scene controllers).
- The scene recalled by the first button in a column is programmable, subsequent buttons recall the next numerical scene, and the last button always recalls Scene Off.
- A 1 button scene Wallstation will always toggle between the assigned scene and Scene Off.

Scene (without OFF)

- Identical function to Scene with Off, except the last button in a column recalls the next consecutive scene, not Scene Off.

Zone Toggle

- Buttons toggle a zone or group of zones between programmable preset values and Off (where all zones are Off).
- Each zone can be programmed to a different value.
- Each button can be individually programmed to a different zone or group of zones.

Partition

- Allows the user to assign individual buttons of a column to different scene controllers (areas).
- A single button press on the wallstation indicates an open partition (LED ON) within the space. Devices programmed to that button communicate with each other in both directions.
- A second button press on the wallstation indicates a closed partition (LED OFF) within the space so that devices programmed to that button function independently.

2B Partition (2 button Wallstation only)

- Identical function to Partition, except that there are two buttons.
- A top button press indicates an open partition; a bottom button press indicates a closed partition.

2B Fine Tune (2 button Wallstation only)

- Buttons function as raise and lower buttons for assigned zones.
- A button tap will raise/lower the level of assigned zones by 1%.
- Press and holding the buttons smoothly raises to high end or smoothly lowers to low end.

2B Sequence (2 button Wallstation only)

- All assigned scene controllers continuously cycle through either Scenes 1-4 or Scenes 5-16 using the programmed fade times for each scene.
- Useful for spaces that desire dynamic lighting, such as decorative lighting or displays in retail stores.
- A top button press starts sequencing; a bottom button press stops sequencing.

(continued on next page)

<p>Job Name:</p> <p>Job Number:</p>	<p>Model Numbers:</p>
--	------------------------------

Available Column Types (continued)

2B Panic (2 button Wallstation only)

- Button press causes all assigned scene controllers go to Scene 16.
- Temporarily disables all button presses and ignores scene or zone level changes.
- A top button press enables Panic Mode; a bottom button press disables Panic Mode.

2B Timeclock (2 button Wallstation only)

- Allows the user to enable or disable the timeclock on a GRAFIK Eye® QS control unit.
- A top button press enables the timeclock; a bottom button press disables the timeclock.

Shades/Draperies

- Wallstation must have more than 1 button.
- Raise/Lower buttons are recommended for programming.
- The top button becomes the Open button; the bottom button becomes the Close button for associated Lutron® Sivoia® QS shades/draperies or third-party AC window treatments.
- For keypads with more than two buttons, the middle buttons are programmable Preset buttons.

Shades/Draperies Group

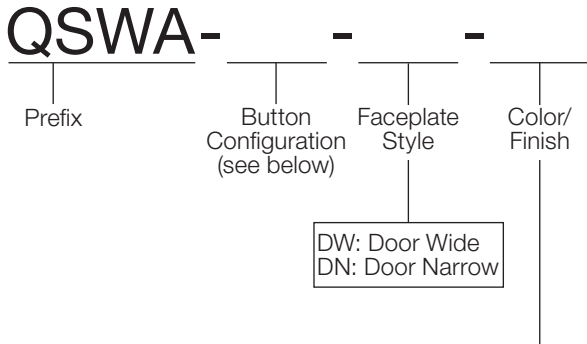
- Available only on a multi-column keypad where another column is a shades/draperies column.
- Allows the shades/draperies column to operate as multiple independent keypads (one per group).
- Group/button with LED ON indicates which shades/draperies group is currently active.

Note:

- Column types can be changed using the GRAFIK Eye® QS control unit programming menu and the ESN HHD application (e.g., control that is programmed as "Lights Only" can be changed to "Shades/Draperies Only").
- Additional programming features are available in a Quantum® system application.

Job Name:	Model Numbers:
Job Number:	

How to Build an Standard Architrave™ QS Model Number



Color/Finish Codes

Architectural Matte Finishes (Metal)

With White plastic buttons (standard).

White WH

Architectural Metal Finishes

With black plastic buttons (standard).

Bright Brass	BB
Bright Chrome	BC
Bright Nickel	BN
Satin Brass	SB
Satin Chrome	SC
Satin Nickel	SN
Antique Brass	QB
Antique Bronze	QZ
Gold	AU

Anodized Aluminum Finishes

With black plastic buttons (standard).

Clear	CLA
Black	BLA
Brass	BRA

Notes:

- Color chip keychains are available for more precise color matching:
Architectural Matte Finishes - AM-CK-1
Architectural Metal Finishes - AMTL-CK-1
- Buttons for QS Architrave are not field replaceable
- If no color is specified, wallstations will ship with White (WH) finish (Metal)

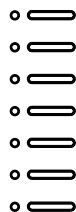
Engraving Note

For Custom Faceplate Engraving, contact Lutron Customer service at: 1.888.LUTRON1

Button Configurations



KP5
7 Button;
w/5 LEDs



KP7
7 Button;
w/7 LEDs

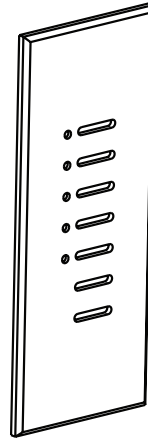
Job Name:	Model Numbers:
Job Number:	

Architrave™ Replacement Faceplate Information

Use Replacement Faceplates to change the colors of faceplates.

Replacement Faceplates

AR-M4-DW-XX**-E	7 Button w/5 LEDs, Door Wide
AR-M4-DN-XX**-E	7 Button w/5 LEDs, Door Narrow
AR-M16-DW-XX**-E	7 Button w/7 LEDs, Door Wide
AR-M16-DN-XX**-E	7 Button w/7 LEDs, Door Narrow



Faceplate

Notes:

- Contact Lutron Customer Service for Multigang Installations: 1.888.LUTRON1
- Architrave™ buttons are not field replaceable

<p>Job Name:</p> <p>Job Number:</p>	<p>Model Numbers:</p>
--	-----------------------

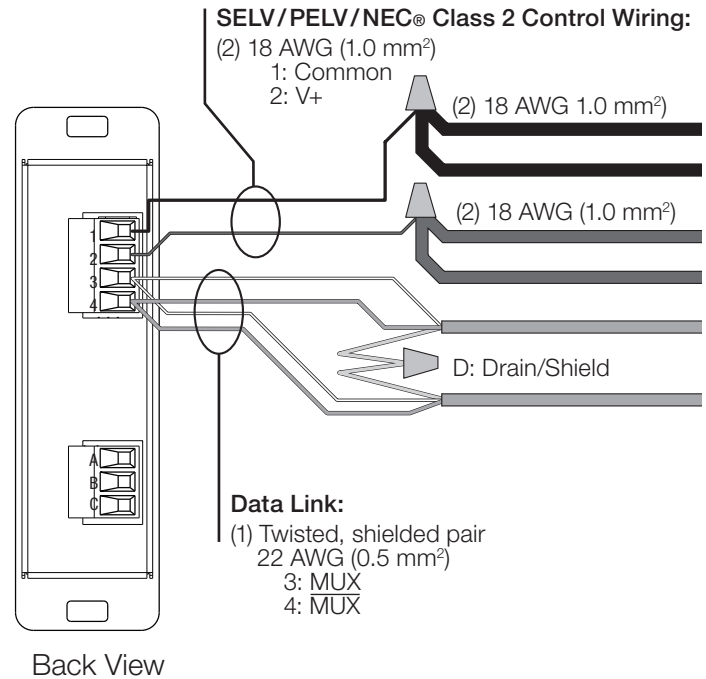
Wallstation Wiring

QS Link Wiring

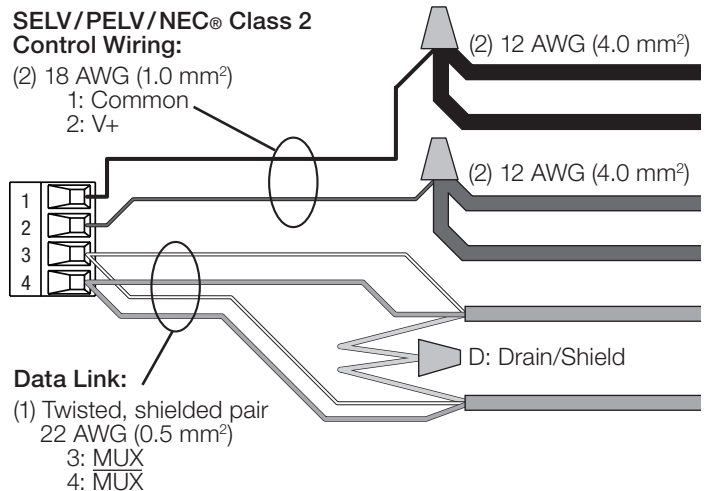
- Use SELV/PELV/NEC® Class 2 wiring to connect Wallstations to the QS link.
- Connect two 22 AWG (0.5 mm²) shielded, twisted pair wires to terminals 3 and 4 of the wallstation's control link connector. Shielding (drain) of the twisted pair wires must be connected together as shown, but do not connect the shielding to earth/ground or the wallstation and do not allow it to contact the grounded wallbox.
- Connect the appropriate size wires to terminals 1 and 2 for power, according to your link length (see table below).
- Connect Drain/Shield as shown. Do not connect to Ground (Earth) or Wallstation. Connect the bare drain wires and cut off the outside shield.

Note: Use appropriate wire connecting devices as specified by local codes.

Link Wiring less than 500 ft (153 m)



Link Wiring 500 ft (153 m) to 2000 ft (610 m)



QS Link Wire Sizes (check compatibility in your area)

QS Link Wiring Length	Wire Gauge	Lutron Cable Part Number
Less than 500 ft (153 m)	Power (terminals 1 and 2) 1 pair 18 AWG (1.0 mm ²)	GRX-CBL-346S (non-plenum) GRX-PCBL-346S (plenum)
	Data (terminals 3 and 4) 1 twisted, shielded pair 22 AWG (0.5 mm ²)	
500 ft to 2000 ft (153 m to 610 m)	Power (terminals 1 and 2) 1 pair 12 AWG (4.0 mm ²)	GRX-CBL-46L (non-plenum) GRX-PCBL-46L (plenum)
	Data (terminals 3 and 4) 1 twisted, shielded pair 22 AWG (0.5 mm ²)	

Job Name:	Model Numbers:
Job Number:	

Wallstation Wiring (continued)

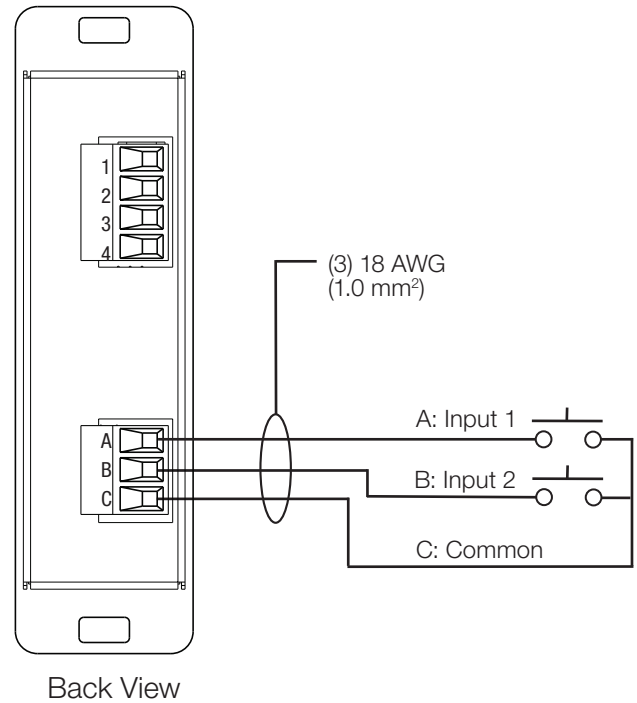
Contact Closure Inputs

Specifications

- Inputs must be dry contact closure, solid-state, open collector (NPN/PNP), or active-low (NPN)/active-high (PNP) output.
 - Open collector (NPN) or active-low (NPN) on-state voltage must be less than 2 V_{DC} and sink 3.0 mA
 - Open collector (PNP) or active-high (PNP) on-state voltage must be greater than 12 V_{DC} and source 3.0 mA
- Wallstation is miswire protected up to 36 V_{DC}.
- Outputs must stay in the closed or open states for at least 40 ms in order to be recognized by the Wallstation.

Contact Closure Input Wiring

- Use low-voltage SELV/PELV/NEC® Class 2 wiring to connect the contact closure inputs to the Wallstation.



Job Name:	Model Numbers:
Job Number:	