

## LMR-VINGCARD-PR VingCard® Door Lock Interface Software License for Lutron myRoom plus

The LMR-VINGCARD-PR interface software enables integration between Lutron myRoom plus systems and the VingCard® VisiOnline™ online door lock system. Door lock events are sent from the VingCard® system to the myRoom plus system to enable advanced control of the room's thermostat, drapery, and lighting.

### Features

#### Guest Presence Detection

The door's state (open/closed) is used in conjunction with in-room motion sensor(s) and control buttons to detect if someone is present in the room.

#### Occupant Differentiation

When the door is unlocked with a valid key, a differentiation is made between a first-time guest entry, a guest entry, and a staff entry.

#### Energy Saving

When the door is opened/closed, the room is scanned for motion and checked for button presses to determine if it is still occupied.

Thirty minutes (programmable) after the door closes, if no motion or button activity is detected, the room's thermostat, drapery, and lighting settle into an energy-saving state.

#### Thermostat Programming

The room's thermostat can be programmed to return from the energy-saving mode to normal operation when the door of an unoccupied (no person present) room is opened.

#### Normal Operation

If motion or button activity is detected in an unoccupied room, the room thermostat can be programmed to return from the energy-saving mode to normal operation.

#### Turn on room lighting automatically when a guest opens the door

Automatic lighting control can be achieved without a door contact installed.\*

#### Activate a first-arrival "Welcome" setting in the room for the guest

The guestroom's thermostat, drapery, and lighting can be preset to a "Welcome" setting, activated by the check-in message received from the hotel's Property Management System (PMS).

### Summary of Guest Presence Features

	Thermostat	Lights	Shades
Exiting a room using a VingCard® system can trigger a programmed event to adjust:	Yes	Yes	Yes
Entering a room using a VingCard® system can trigger a programmed event to adjust:	Yes	Yes*	Yes*
Entering a room using a VingCard® system can trigger different events based on guest or staff entry to adjust:	Yes	Yes*	Yes*

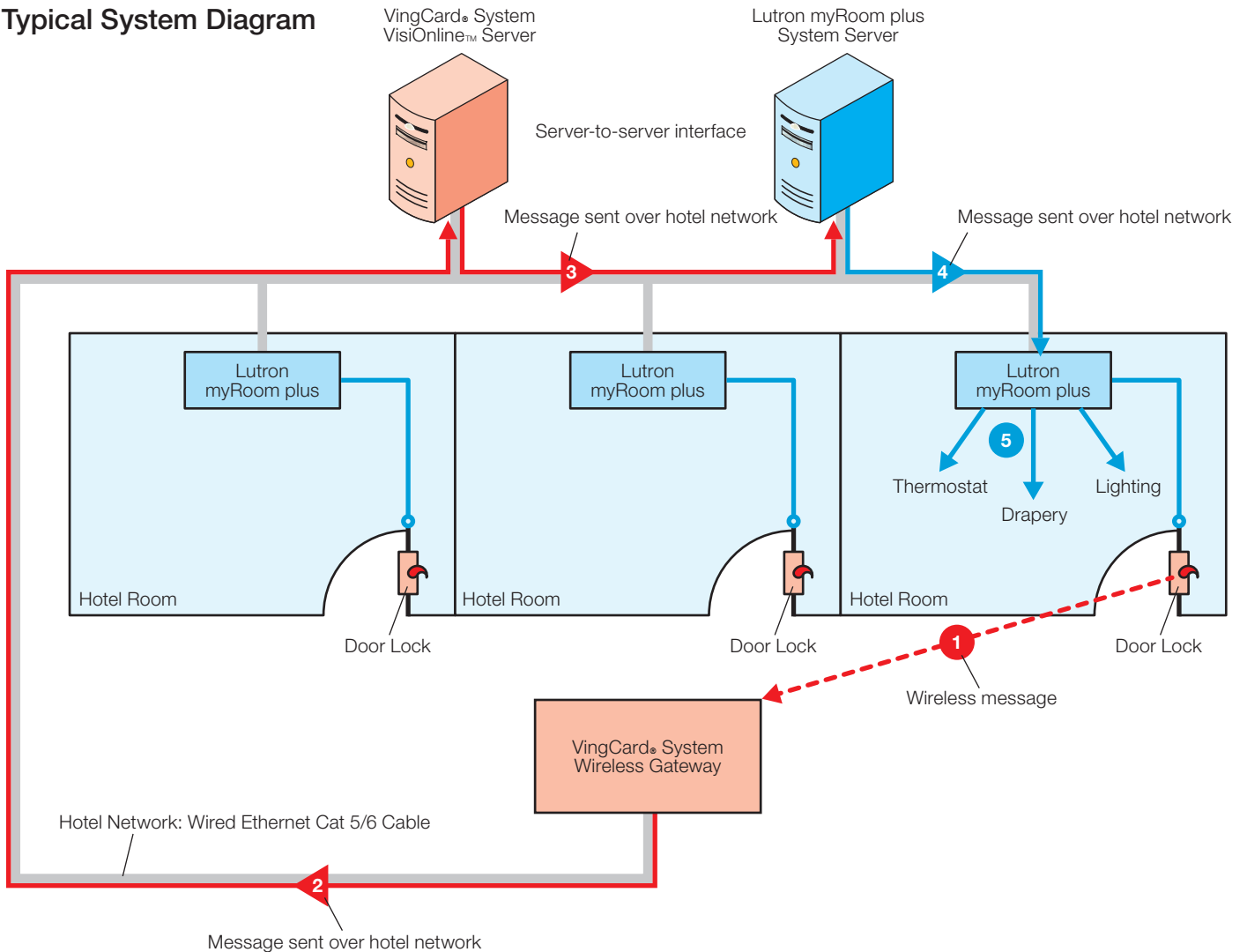
\* VisiOnline™ version 1.22.1 or newer required.

<b>Job Name:</b>	<b>Model Numbers:</b>
<b>Job Number:</b>	

### Concept of Operation

- The Lutron myRoom plus server is interfaced with the VingCard® VisiOnline™ server via a server-to-server interface.
- The VingCard® system wireless gateways, typically located above access panels in the corridor, are connected to the hotel’s network so they can communicate with the VingCard® VisiOnline™ server. Refer to the following numbered event sequence in the diagram below.
  1. The guestroom’s door lock communicates with the VingCard® system wireless gateway.
  2. The wireless gateway relays the message to the VingCard® system VisiOnline™ server via the hotel network.
  3. The VingCard® system VisiOnline™ server sends door-event messages to the Lutron myRoom plus system server.
  4. The myRoom plus server software interprets the VingCard® event message and then routes a Lutron message via the hotel network to the myRoom plus guestroom control unit (GCU-HOSP) located in the guestroom where the door-event message originated.
  5. The myRoom plus GCU-HOSP controls the room’s thermostat, drapery, and lighting as programmed.

### Typical System Diagram



<b>Job Name:</b>	<b>Model Numbers:</b>
<b>Job Number:</b>	

### VingCard® System Requirements

The Lutron myRoom plus system is compatible with all wireless VingCard® access control systems that operate using the VingCard® VisiOnline™ software. VingCard® is responsible for the complete design, installation, start-up, and maintenance of all system components necessary for their wireless online door-lock system to operate. This includes, but is not limited to, the following:

- Electronic door locks with the required online hardware installed
- Wireless gateways that allow the door locks to communicate over the hotel network
- Coordinating the required wiring for all VingCard® equipment
- VisiOnline™ server hardware
- VisiOnline™ software version 1.22.1 or newer
- Enabling the VingCard® System interface on the VisiOnline server to allow communication to the Lutron myRoom server

### Lutron System Requirements

Only the Lutron myRoom plus system is compatible with the VingCard® door lock system.

The Lutron myRoom plus system BOM must include the following:

- LMR-VSBO: myRoom server by others **or** Lutron-provided LMR-CMP-R: myRoom plus server
- LMR-VINGCARD-PR: myRoom plus-VingCard® interface software licenses; one license required per guestroom
- LMR-EO: myRoom plus networking requirements

### Network Requirements

To ensure acceptable end-to-end system response time and a positive guest experience, the hotel network must meet the following requirements:

- The Lutron server and all GCU-HOSP units must share the same subnet on a dedicated VLAN.
- The VingCard® VisiOnline™ server and all VingCard® wireless gateways must share the same subnet on a dedicated VLAN.
- TCP communication using a configurable port must be allowed from the Lutron myRoom plus server to the VingCard® VisiOnline™ server.

### Commissioning Requirements

- Lutron shall be provided with the IP and port from which the VingCard® VisiOnline™ Server will be communicating.
- Lutron shall be provided with the exact, commissioned names for all VingCard® VisiOnline™ System door locks.
- Room automation using door lock system integration requires a fully commissioned door lock system, servers (Lutron and VingCard®), and network infrastructure.

### Mock-Up Demonstrations

If integration with the VingCard® door locking system must be demonstrated for a hotel mock-up room review, it will require close coordination between the local Lutron and VingCard® sales, project management, and start-up teams. The VingCard® wireless gateway, the VingCard® VisiOnline™ server, and the Lutron myRoom plus server all need to be included in the mock-up.

The Lutron logo, Lutron, and myRoom are trademarks or registered trademarks of Lutron Electronics Co., Inc. in the US and/or other countries. VingCard and VisiOnline are trademarks of ASSA ABLOY AB.

<b>Job Name:</b>  <b>Job Number:</b>	<b>Model Numbers:</b>
--	-----------------------