

## Overview

The Narrow Architectural-style seeTouch faceplate kit (CPN #5900) is available to convert any standard Architectural-style seeTouch keypad into a narrow faceplate configuration, to achieve a unique and alternative aesthetic look.

This faceplate kit is available in a single gang configuration only. The overall dimensions of the faceplate are 2.25 inches wide x 4.75 inches tall x 0.295 thick (projection off the wall surface).

Because of the narrow width of the faceplate, special care is needed when selecting and installing the wallbox. Metal wallboxes that are 2 inches wide or less must be used. Compatible wallboxes, such as Raco 471 and Raco 0564, are widely available from electrical distributors and home improvement stores. Traditional 1-gang plastic wallboxes are typically wider than 2 inches and are therefore incompatible with the Narrow Architectural-style seeTouch faceplate kit.

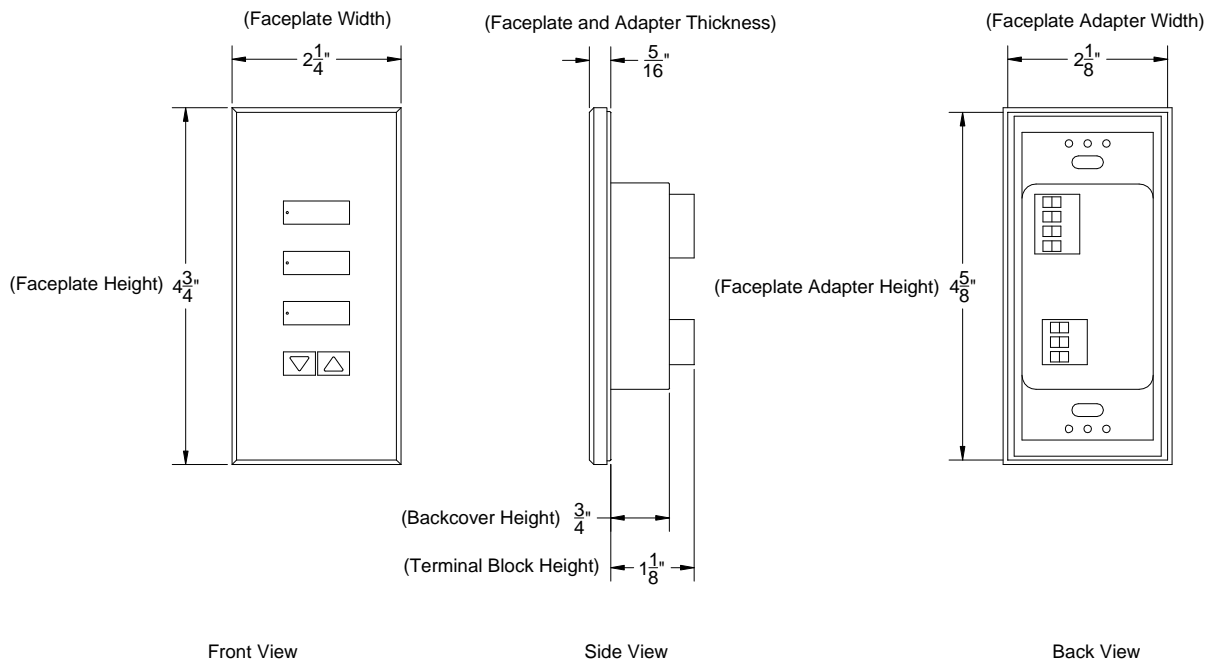
When installing the wallbox, the location of the wallbox itself, relative to the finished drywall surface, is very important. Joint compound must be used to eliminate any gap between the wallbox and the drywall to assure there is no visible gap around the faceplate when installed.

The purpose of this document is to provide guidelines for the wallbox installation to assure a high quality and gap-free finish.

## Product dimensions

The diagram below provides the overall dimensions of the Narrow Architectural-style seeTouch faceplate kit installed on a standard Architectural style seeTouch keypad.

Keypad with Narrow Architectural-style seeTouch Faceplate Kit

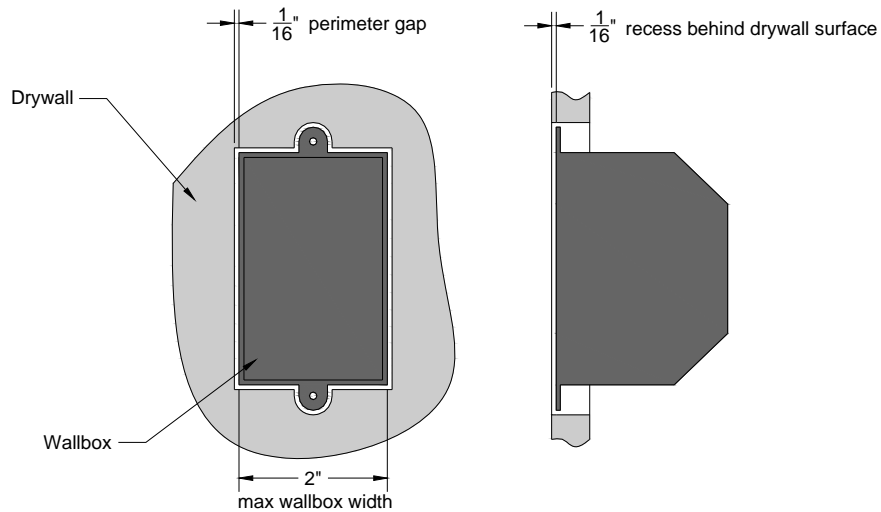


## Wallbox installation and finishing

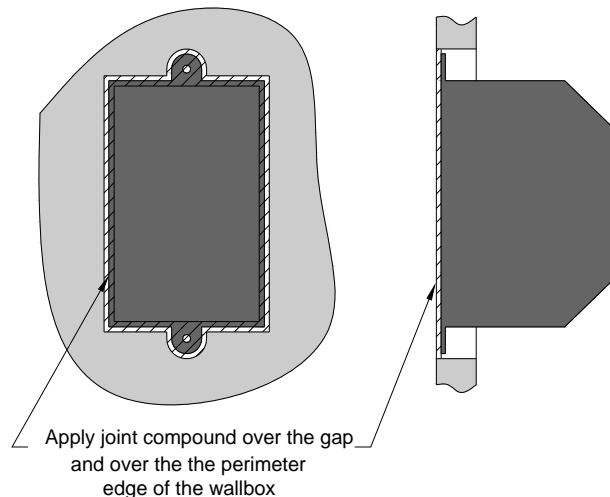
The diagrams below provide recommendations for installation and finishing of the wallbox installation. It is necessary to use a wallbox that is 2" wide or less, to avoid visible gaps between the faceplate and the drywall.

Recess the wallbox 1/16" behind the drywall surface with a 1/16" gap around the perimeter of the wallbox, as shown in the first diagram. This will allow a small cavity that can be filled with joint compound to provide a seamless installation. For best results, apply joint compound to the front perimeter of the wallbox, covering all but the actual opening of the wallbox as shown in the second diagram.

Drywall opening and positioning of the 2" wide wallbox



Finishing details for the 2" wide wallbox





## Things to consider

If the keypad you are installing is a low-voltage device, i.e. 24VDC, it may not be necessary to use a wallbox prior to installing the keypad in the wall. In this case, refer to the product dimensions on the front page as guidelines for preparing the opening. Whether choosing to use a wallbox or not, the product must be installed in accordance with all local building and electrical codes.

## Website

[www.lutron.com/customcontrols](http://www.lutron.com/customcontrols)

## Contact Lutron

Lutron Electronics Co, Inc.  
7200 Suter Road  
Coopersburg, PA 18036-1299  
U.S.A.

Customer Service: 1-888-LUTRON1  
Email: [custsvc@lutron.com](mailto:custsvc@lutron.com)