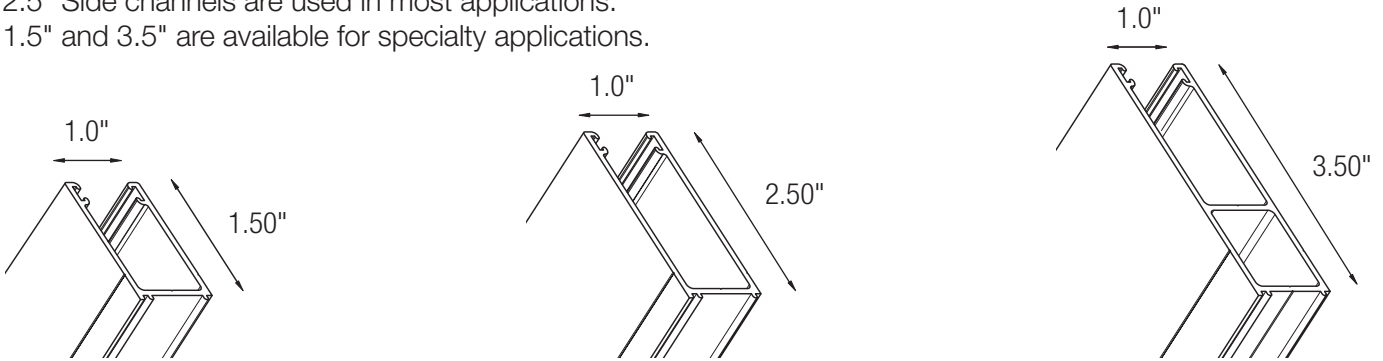


Side Channels

Aluminum side channel extrusions help eliminate light leaks at the sides of both motorized and manual roller-shades. In conjunction with sill angle and a properly constructed top treatment, they provide the basic elements of a complete light blocking rollershade system.

2.5" Side channels are used in most applications.
 1.5" and 3.5" are available for specialty applications.

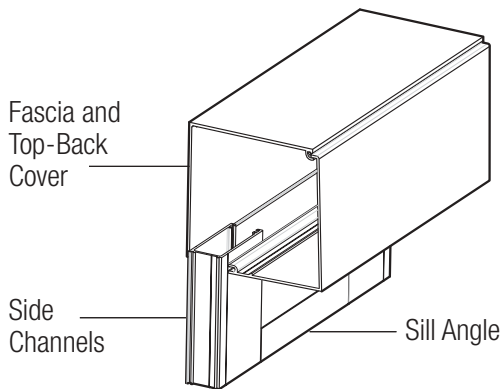


Specifications

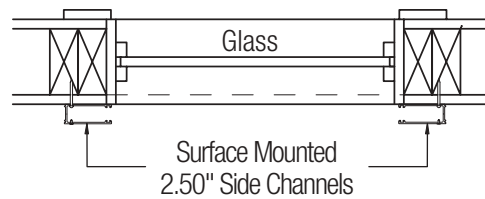
- Material**
 - 1.5" Side Channel = 062" thick Extruded Aluminum
 - 2.5" Side Channel = 078" thick Extruded Aluminum
 - 3.5" Side Channel = 078" thick Extruded Aluminum
- Color**
 - White, Bronze, and Anodized
 - Custom colors are available and may result in additional lead time and cost
- Length**
 - Available in custom lengths up to 150"

Mounting

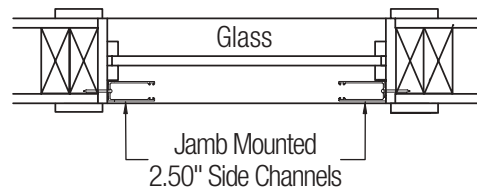
As part of a complete Blackout System, the Side Channels typically mount inside the wall jamb or on the surface of the wall just outside the window opening. In more advanced installations they may be recessed into the window jambs.



Blackout System Components



Outside-Mount Top View



Inside-Mount Top View

Job Name:	Model Numbers:
Job Number:	

Worldwide Technical and Sales Assistance

Lutron Shading Solutions by VIMCO
11520 Sun Shade Lane
Ashland, VA 23005

www.lutron.com

www.vimco.com

customer service: 1.800.446.1503

fax: 1.804.752.3366

24/7 tech support: 1.800.523.9466

email: shadinginfo@lutron.com

Limited Warranty

Lutron Shading Solutions by VIMCO offers an 8-year limited warranty for our shading systems. Please contact customer service or visit our website for a complete warranty statement.

Lutron Shading Solutions by VIMCO reserves the right to make improvements or changes to these products without prior notice. Although every attempt is made to ensure that this information is accurate and up to date, please check with Lutron Shading Solutions by VIMCO to confirm product availability, latest specifications, and suitability for your application.

These products may be covered by one or more of the following US patents:

4,803,380; 4,835,343; 4,924,349; 5,180,886; 5,671,387; 5,848,634;

6,100,659; 6,313,588; 6,346,781; 6,497,267; D310,349; D370,663;

D391,924; D422,567; D436,930; D453,742; D456,783; D461,782;

D462,332; D465,460; D465,770; D466,090; D466,091; D466,484;

D475,024; D475,025; and corresponding foreign patents. US and foreign patents pending.

<p>Job Name:</p> <p>Job Number:</p>	<p>Model Numbers:</p>
--	------------------------------