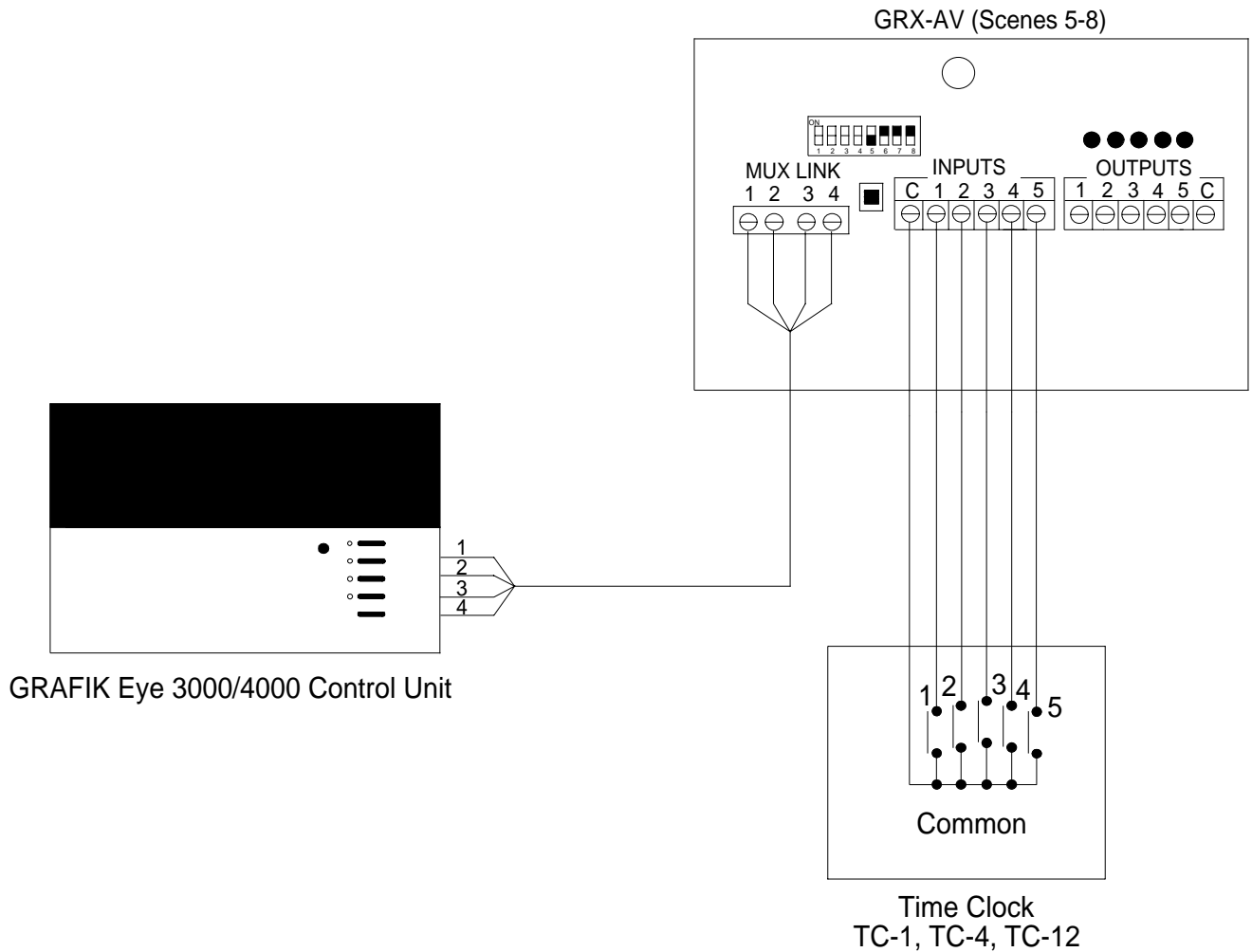


Overview

The ability to select scenes on a GRAFIK Eye Control Unit at predetermined times of the day can be accomplished through the use of a GRX-AV and a time clock. The time clock should provide momentary dry contact closures to the GRX-AV to allow for manual scene selects (i.e. indoor lighting). If no manual scene selects are necessary, the closures can be maintained (i.e. outside lighting). Each GRX-AV can accept switch closures to select four scenes and OFF for Scenes 1-4, 5-8, 9-12, 13-16. The time clock can work with up to four GRX-AV's to provide full 16 scene and OFF capability.



Additional Information

World Headquarters

Lutron Electronics Co., Inc.
7200 Suter Road
Coopersburg, PA 18036-1299 U.S.A.
TOLL FREE: (800) 523-9466 (U.S.A., Canada, and the Caribbean)
Tel: (610) 282-3800; International 1610 282-3800
Fax: (610) 282-3090; International 1610 282-3090

European Headquarters

Lutron EA LTD
Lutron House
6 Sovereign Close
Wapping
London, E1 9HW England
FREEPHONE: 0800 282107 (U.K.)
Tel: (0171) 702-0657; International 44-171-702-0657
Fax: (0171) 480-6899; International 44-171-480-6899

Hong Kong Office

Tel: 2593-1119; International 852-2593-1119
Fax: 2593-1197; International 852-2593-1197

Singapore Office

Tel: 487-2820; International 65-487-2820
Fax: 487-2825; International 65-487-2825

Japan Office

Lutron Asuka Corporation K.K.
Kowa Shibakoen Bldg. 2nd Floor
1-1-11 Shibakoen
Minato-ku, Tokyo 105-0011, Japan
TOLL FREE: (0120) 083417 (Japan)
Tel: International 81 3 5405 7333
Fax: International 81 3 5405 7496

Worldwide Technical and Sales Assistance

If you need technical assistance, call the toll-free **Lutron Technical Assistance Hotline**. Please provide exact model number when calling. (800) 523-9466 (U.S.A., Canada and the Caribbean)
Other countries call:
Tel: (610) 282-3800; International: 1 610 282-3800
Fax: (610) 282-3090; International: 1 610 282-1243
Our address on the Web is www.lutron.com

Lutron and GRAFIK Eye are registered trademarks of Lutron Electronics Co., Inc.