

## APPLICATIONS

An indirect or indirect/direct (slotted) sculptural luminaire for applications that require a 21" wall mounted, ADA compliant, decorative sconce such as:

Building, elevator, and office lobbies, hallways, stairhalls, reception areas, executive offices, entry halls, theaters, and flanking doorways, windows, artwork, and fireplaces.

## PRINCIPAL FEATURES

**FIXTURE SHELL:** Constructed using stamped aluminum. Brushed Clear And Black Anodized finish and premium automotive paint in Matte and Gloss Titanium, Slate, Arctic White, Pearl, Lapis, Graphite, Flame, Copper and Ebony available. Standard finishes are Brushed Clear Anodized Aluminum and Gloss Titanium, Pearl and Arctic White and Matte Slate. Powder coatings are also available.

**LAMPING:** One 26, 32, or 42 Watt triple tube compact fluorescent lamp or 60 Watt incandescent lamp supplied by other manufacturers. Neutral White 12 Watt high efficiency LED array provided with LED models.

**SOCKETS:** Twist-lock for compact fluorescent lamp configuration. Medium base screw-in for incandescent configuration. LED module is hard-wired and designed to last the lifetime of the fixture.

**BALLASTS:** LUTRON® 1% 3-wire dimming for 26 and 32 Watt compact fluorescent and LED options 120V, 220/240V, and 277V. LUTRON 5% 3-wire dimming for 42 Watt compact fluorescent 120V, 220/240V, and 277V. Non-dimming for 26/32/42 Watt fluorescent and LED.

**MOUNTING:** Aluminum wall mounting system with multiple mounting holes for easy installation and lamp replacement. Locking screw keeps cover shell tightly fastened. Standard plate is painted white but can be painted to match housing shell. ADA compliant. Designed to protrude less than 4 in. from wall. For wall mounting only.

**JUNCTION BOX:** 4 in. octagonal, rectangular or round supplied by others.

**WEIGHT:** Compact fluorescent, LED - 4.5 lbs. (2.1kg), Incandescent - 3.6 lbs (1.6kg).

Larger scale drawings and 3D models available at [www.ivaloighting.com](http://www.ivaloighting.com).

## ORDERING GUIDES

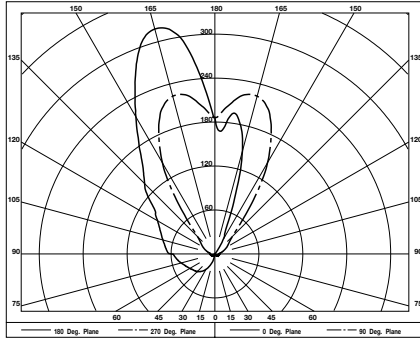
### BASE UNIT CONFIGURATION GUIDE

Select appropriate code in each column to complete model number.

Example:

A	N	N	21	1	42	2	W	N	U	WH	AN	
Family	Type	Light Orientation	Fixture Length	Number of Lamps	Lamp Type	Voltage	Suspension	Control Option	Region	Chassis Color	Fixture Shell Color	
FA	TYP	IDFL	LEN	#L	LAMP	VOL	SUSP	CON	REG	CCO	FSCO	
<b>A</b> Aliante	<b>N</b> Interior	<b>D</b> Indirect/ Direct Lens	<b>21</b> 21" Long	<b>1</b> One Lamp	<b>26</b> 26W Compact Fluorescent	<b>2</b> 120V	<b>W</b> Wall Mounting	<b>1</b> 1% Dimming (26, 32W, LED only)	<b>U</b> North America	<b>WH</b> White	<b>AN (STD)</b> Anodized Clear	<b>AB</b> Anodized Black
		<b>N</b> Indirect No Lens			<b>32</b> 32W Compact Fluorescent	<b>4</b> 220/240V (Non CE)		<b>5</b> 5% Dimming (42W fluorescent only)	<b>N</b> Non CE	<b>BL</b> Black	<b>GS</b> Gloss Slate	<b>MS (STD)</b> Matte Slate
					<b>42</b> 42W Compact Fluorescent	<b>7</b> 277V		<b>T</b> Tu-wire® 5% dimmable (26, 32W only)			<b>GL</b> Gloss Lapis	<b>ML</b> Matte Lapis
					<b>NL</b> Neutral White LED			<b>N</b> Non Dimming			<b>GF</b> Gloss Flame	<b>MF</b> Matte Flame
					<b>6N</b> (60W max) Incandescent Med base						<b>GC</b> Gloss Copper	<b>MC</b> Matte Copper
											<b>GT (STD)</b> Gloss Titanium	<b>MT</b> Matte Titanium
											<b>GP (STD)</b> Gloss Pearl White	<b>MP</b> Matte Pearl White
											<b>GG</b> Gloss Graphite	<b>MG</b> Matte Graphite
											<b>GE</b> Gloss Paint Ebony	<b>ME</b> Matte Paint Ebony
											<b>GA (STD)</b> Gloss Arctic White	<b>MA</b> Matte Arctic White

**Included in standard fixture:** Mounting system, lamp base shell, diffuser and ballast (fluorescent only). [Standard finish on lamp base shell is Brushed Clear Anodized, Aluminum finish or Gloss Titanium, Pearl and Arctic White and Matte Slate automotive paint.]  
**Not included:** 4" round or octagonal junction box or compact fluorescent/incandescent lamp.  
**Options:** Finish and color choices for fixture shell.



**INDIRECT/DIRECT  
CANDELA PLOT**

**PHOTOMETRIC DATA (42W Fluorescent)**

	Total Luminaire Efficiency 14%	
Direct/Indirect		
Spacing Criterion Lateral Plane	0° 0.8	90° 3.5
Total Lamp Lumens	3200	
Input watts	47W at 120V	

**CANDELA DISTRIBUTION**

**FLUX**

	0.0	22.5	45.0	67.5	90.0	112.5	135.0	157.5	180.0
0	1	1	1	1	1	1	1	1	1
5	1	1	1	1	1	1	1	2	1
15	1	1	1	1	2	3	3	6	9
25	0	1	1	2	2	4	4	20	19
35	0	1	1	2	3	6	7	32	28
45	0	1	1	2	3	10	10	41	34
55	0	1	1	2	4	15	13	46	37
65	0	0	1	3	5	19	17	49	42
75	0	0	1	3	6	24	24	54	48
85	0	0	1	3	6	31	33	60	54
90	0	0	1	3	6	29	36	59	60
95	0	0	1	2	6	26	39	59	67
105	0	0	1	2	10	35	48	66	74
115	0	0	1	3	15	46	60	76	83
125	0	0	1	8	22	57	73	93	99
135	0	1	6	17	34	93	103	129	136
145	7	15	21	33	96	167	162	175	181
155	33	44	66	122	182	228	232	249	259
165	145	166	186	208	223	249	280	306	318
175	180	174	179	187	203	221	239	251	248
180	186	186	186	186	186	186	186	186	186

**LUMINANCE IN CANDELA PER SQUARE METER**

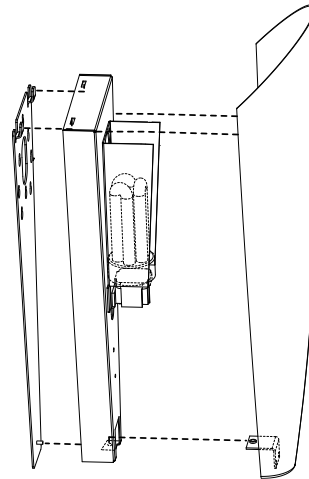
ANGLE in DEG	AVG 0-DEG	AVG 45-DEG	AVG 90-DEG
0	295	295	295
45	0	189	410
55	0	177	511
65	0	173	619
75	0	174	742
85	0	180	766

**COEFFICIENTS OF UTILIZATION - ZONAL CAVITY METHOD**

EFFECTIVE FLOOR CAVITY REFLECTANCE 0.20

RC	80			70			50			30			10			0		
RW	70	50	30	10	70	50	30	10	50	30	10	50	30	10	50	30	10	
0	14	14	14	14	13	13	13	13	9	9	9	6	6	6	4	4	4	3
1	13	12	11	11	11	10	10	9	8	7	7	5	5	5	3	3	3	2
2	11	10	9	8	10	9	8	7	7	6	6	4	4	4	2	2	2	1
3	10	9	8	7	9	8	7	6	6	5	5	4	3	3	2	2	2	1
4	9	8	7	6	8	7	6	5	5	4	4	3	3	2	2	1	1	1
5	9	7	6	5	7	6	5	4	4	4	3	3	2	2	1	1	1	0
6	8	6	5	4	7	5	4	4	4	3	3	3	2	2	1	1	1	0
7	7	5	4	3	6	5	4	3	3	3	2	2	2	1	1	1	1	0
8	7	5	4	3	6	4	3	3	3	2	2	2	2	1	1	1	1	0
9	6	4	3	3	5	4	3	2	3	2	2	2	1	1	1	1	1	0
10	6	4	3	2	5	4	3	2	3	2	1	2	1	1	1	1	0	0

**MOUNTING SYSTEM**



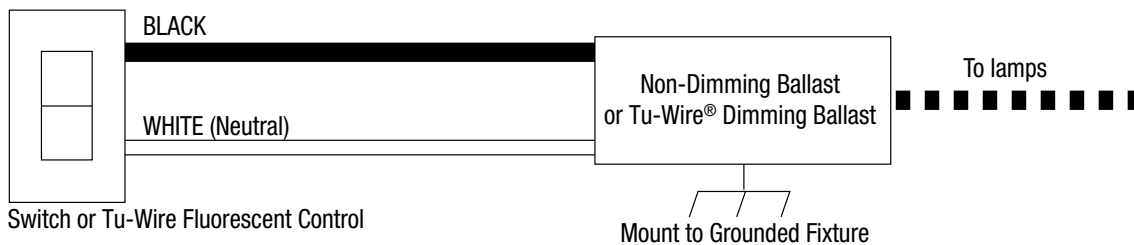
- Top clip and bottom mounting screw for easy attachment of outer shell and lamp replacement.
- ADA compliant



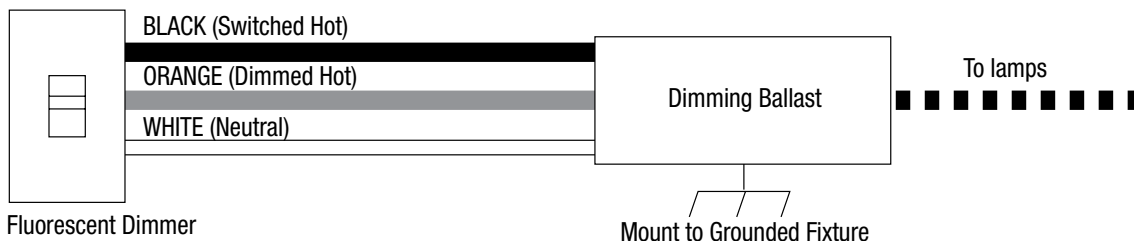
- Slotted Version

Circuit Diagrams for Fluorescent Switching and Dimming Connections

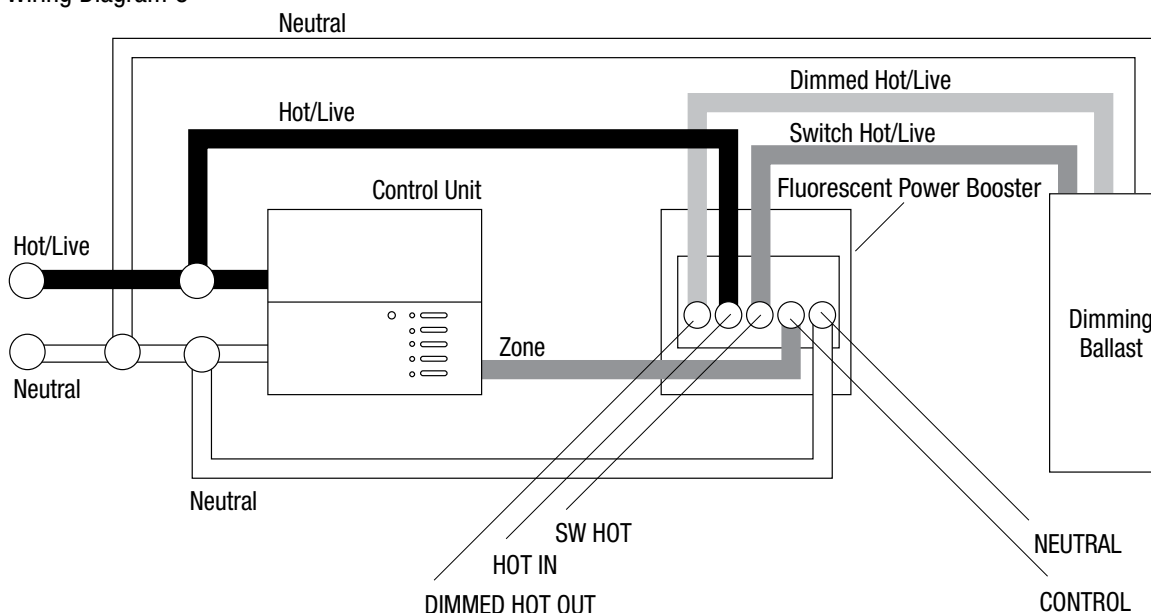
Wiring Diagram A



Wiring Diagram B - For Fluorescent Dimmer - ALWAYS USE FLUORESCENT DIMMER WITH FLUORESCENT LAMP



Wiring Diagram C



A Lutron Company

IVALO, IVALO Lighting, and Aliante are registered trademarks of IVALO Lighting, Inc.



DRY LOCATIONS ONLY.



Commercial and Residential.

CONTACT. IVALO Lighting Incorporated.  
7136 Suter Road, Coopersburg, PA 18036  
Telephone 610.282.7472 Fax 610.282.7600  
info@ivalolighting.com  
www.ivalolighting.com

P/N 367-1706