

Code-Smart Guestroom System

The Code-Smart Guestroom System is a simple solution that supports a new or existing hotel property in meeting major energy code requirements. Simple and easy design, with an unobtrusive solution for the property and guest, makes this a great solution for properties three stars and up.

Features

- 120 V~ operation
- Simple energized/de-energized automation of line voltage switches and receptacles in separate scope, by Lutron or others
- System includes:
(See the individual product documentation for specific product ratings)
 - (1) LUT-8X8-ENC: Enclosure with DIN rail
 - (1) MQSE-2S1-D: Central control module
 - (1) QSM2-XW-C: QS sensor module
 - (2) LRF2-OCR2B-P-WH: Occupancy sensor
 - (1 or 2) Power packs
 - (1) PP-DV to control lighting circuits
 - (1) CU300HD-CPN6814* to control receptacle circuits (CCGS-NA-2 only)
- Guest Presence Detection timeout is 15 minutes

Models Available:

CCGS-NA-X*

*Available:

- 1= Has 1 PP-DV for relay lighting control
- 2= Has 1 CU300HD-CPN6814 relay for receptacle control and 1 PP-DV relay for lighting controls

* See page 2 for specifications.

Job Name:	Model Numbers:
Job Number:	

Specifications (CU300HD-CPN6814)

Regulatory Approvals

- UL®/cUL 916 Listed for Energy Management
- CEC Title 24 Compliant
- ASHRAE 90.1 Compliant
- UL2043 plenum rated per NEC® 2014 300.22(C)(3)

Power

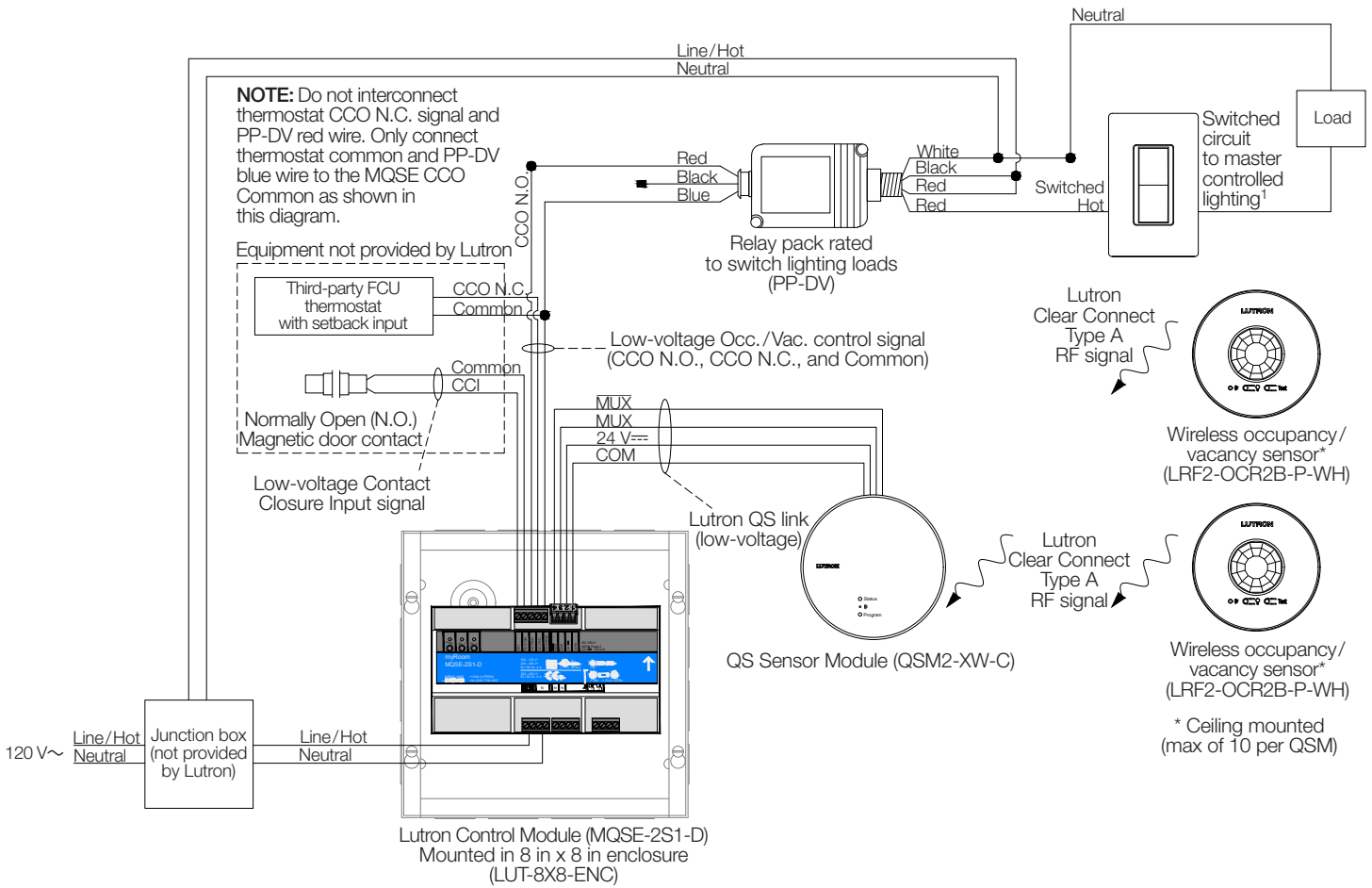
- 120 V~ 50/60 Hz
- 20 A 1 HP at 120 V~
- Power output: 24 V== 250 mA

Environment

- -40 °F to 149 °F (-40 °C to 65 °C)
- Relative humidity: less than 90% non-condensing
- For indoor use only

Job Name: Job Number:	Model Numbers:
------------------------------	----------------

Wiring Diagram for CCGS-NA-1



NOTE: The door contact must be a Normally Open (N.O.) type for proper operation. Normally open door contact means when the entrance door is open, the contact is open.

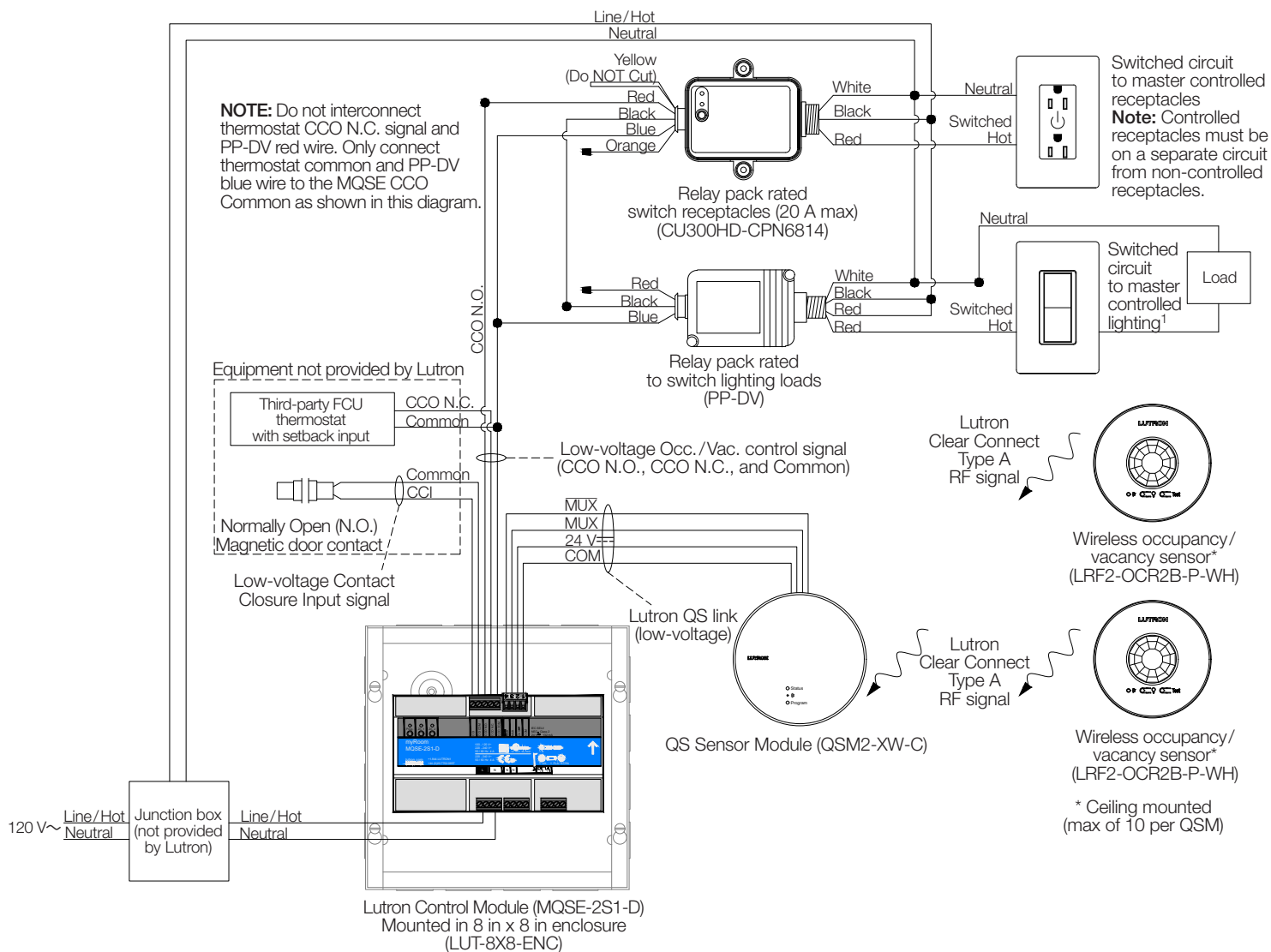
¹ Recommended Lutron switches and dimmers:

- Diva
- Skylark
- Ariadni

NOTE: Digital switches and dimmers should not be used.

Job Name:	Model Numbers:
Job Number:	

Wiring Diagram for CCGS-NA-2



NOTE: The door contact must be a Normally Open (N.O.) type for proper operation. Normally open door contact means when the entrance door is open, the contact is open.

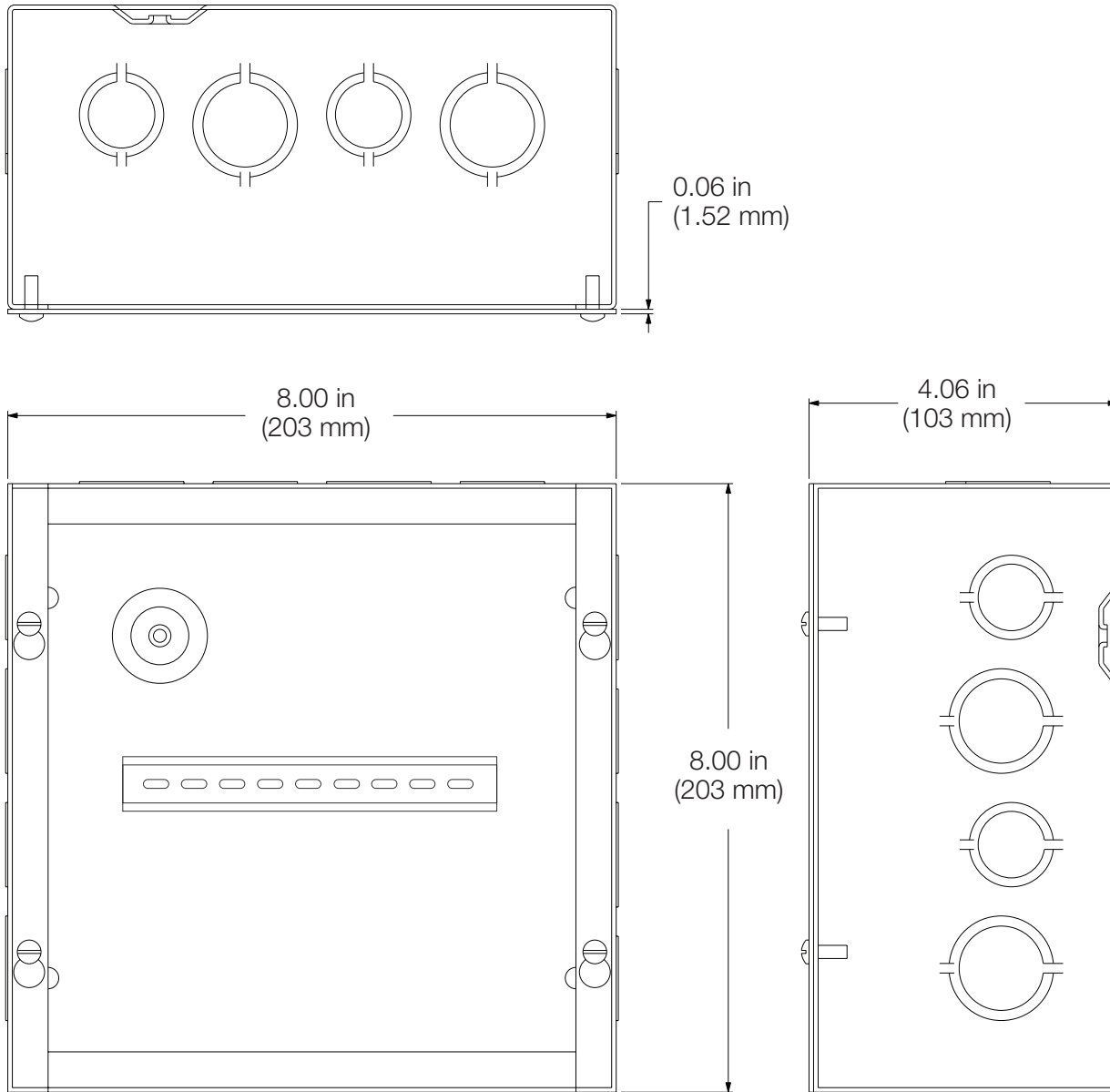
¹ Recommended Lutron switches and dimmers:

- Diva
- Skylark
- Ariadni

NOTE: Digital switches and dimmers should not be used.

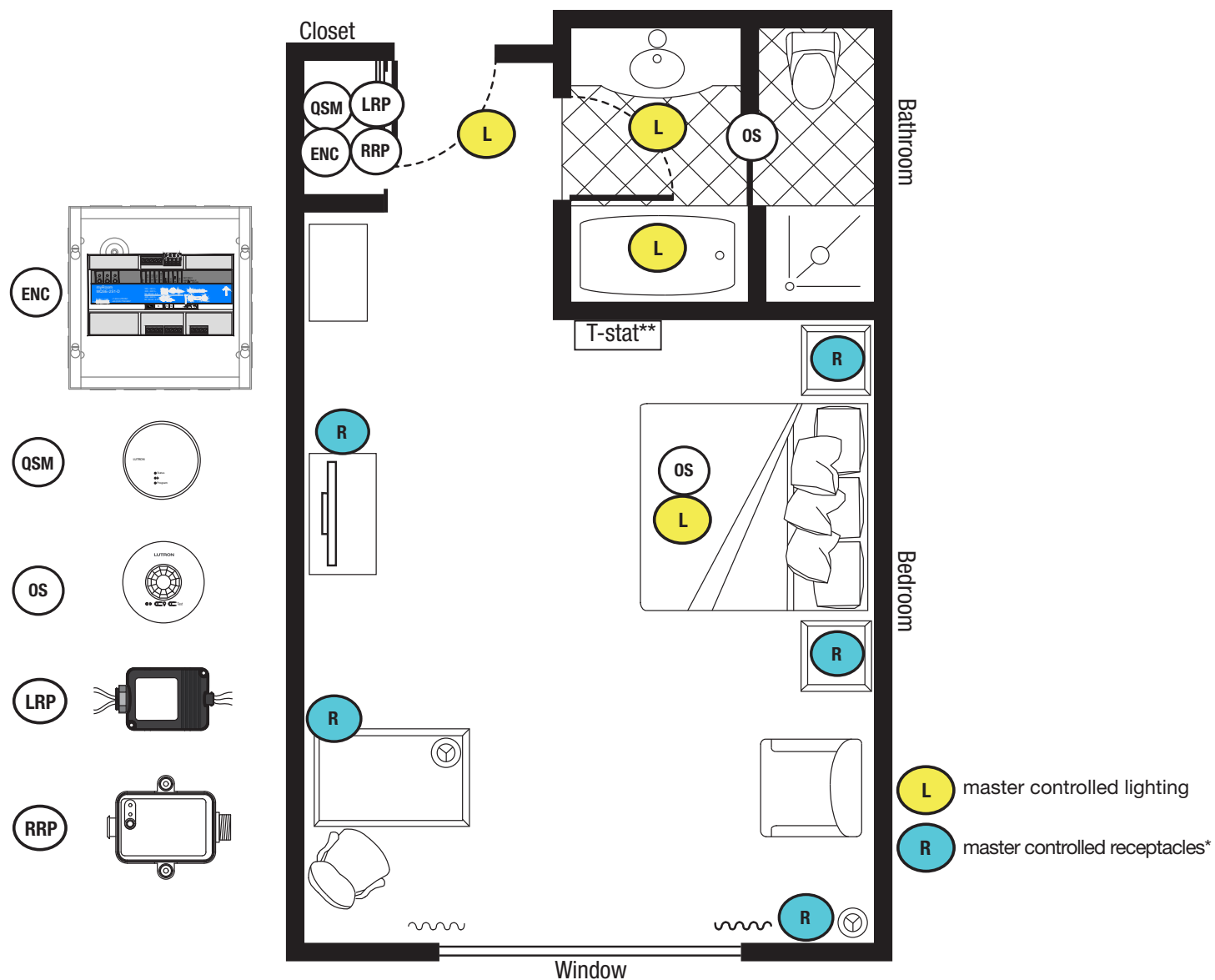
Job Name:	Model Numbers:
Job Number:	

Mechanical Dimensions for LUT-8X8-ENC



Job Name:	Model Numbers:
Job Number:	

Sample Guestroom Layout



Sequence of Operations (SOO):

	Occupied	Unoccupied
Lights	Energized	De-energized
Receptacles*	Energized	De-energized
Temperature	Comfort Mode	Setback

* CCGS-NA-2 only

** If thermostat CCI is not rated for 24 V_{AC} : Use an external relay with a 24 V_{AC} coil and relay output rating for thermostat contact closure input.

The Lutron logo, Lutron, Ariadni, Clear Connect, Diva, and Skylark are trademarks or registered trademarks of Lutron Electronics Co., Inc. in the US and/or other countries.

LUTRON SPECIFICATION SUBMITTAL		Page
Job Name:	Model Numbers:	
Job Number:		